



Customer information packet

ZDVSCP4103T

25HP, 1775RPM, 3PH, 60HZ, 284TC, 1054M, TEFC, F

Class - None

Division - Not Applicable

Specifications

Enclosure	TEFC
Frame	284TC
Frame Material	Iron
Frequency	60.00 Hz
Haz Area Class and Group	None
Haz Area Division	Not Applicable
Motor Letter Type	Three Phase
Output @ Frequency	25.000 HP @ 60 HZ
Phase	3
Synchronous Speed @ Frequency	1800 RPM @ 60 HZ
Voltage @ Frequency	230.0 V @ 60 HZ 460.0 V @ 60 HZ
Agency Approvals	CSA UR
Ambient Temperature	40 °C
Auxiliary Box	NO AUXILLARY BOX
Auxiliary Box Lead Termination	None
Base Indicator	Rigid
Bearing Grease Type	Polyrex EM (-20F +300F)
Blower	None
Current @ Voltage	64.000 A @ 208.0 V 62.000 A @ 230.0 V 31.000 A @ 460.0 V
Design Code	A
Drip Cover	No Drip Cover
Duty Rating	CONT
Efficiency @ 100% Load	93.6 %
Electrically Isolated Bearing	Not Electrically Isolated
Feedback Device	TACHOMETER
Front Face Code	Standard
Front Shaft Indicator	None
Heater Indicator	No Heater

Part detail

Revision	M
Type	AC
Mech. spec.	10H956
Base	
Status	PRD/A
Elec. spec.	10WGZ651
Layout	10LYH956
Eff. date	09-29-2025
CD Diagram	CD0180
Poles	04
Leads	9#10
Proprietary	False
Created date	12-13-2017

High Voltage Full Load Amps	31.0 a
Insulation Class	F
Inverter Code	Inverter Duty
KVA Code	J
Lifting Lugs	Standard Lifting Lugs
Locked Bearing Indicator	Locked Bearing
Max Speed	2700 rpm
Motor Lead Exit	Ko Box
Motor Lead Quantity/Wire Size	9 @ 10 AWG
Motor Lead Termination	Flying Leads
Motor Standards	NEMA
Motor Type	1054M
Mounting Arrangement	F1
Number of Poles	4
Overall Length	30.79 IN
Power Factor	81
Product Family	Chemical Processing (Not DC)
Pulley End Bearing Type	Ball
Pulley Face Code	C-Face
Pulley Shaft Indicator	Standard
Rodent Screen	None
Service Factor	1.00
Shaft Diameter	1.875 IN
Shaft Extension Location	Pulley End
Shaft Ground Indicator	No Shaft Grounding
Shaft Rotation	Reversible
Shaft Slinger Indicator	Shaft Slinger
Speed	1775 rpm
Speed Code	Single Speed
Starting Method	Direct on line
Thermal Device - Bearing	None
Thermal Device - Winding	Normally Closed Thermostat
Vibration Sensor Indicator	No Vibration Sensor
Winding Thermal 1	None

Winding Thermal 2

None

Nameplate

NP3303L			
CAT NO	ZDVSCP4103T		
SPEC.	10H956Z651Z1		
FRAME	284TC	HP	25 TE
VOLTS	230/460		
MAG CUR	27.2/13.6	FLA	62/31
RPM	1775	RPM MAX	2700
HZ	60	PH	3 CLASS F
SER.F.	1.00	SL HZ	0.8
NEMA-NOM-EFF	93.6	WK2	4.13
RATING	40C AMB-CONT		
DE BRG	6311	ODE BRG	6311
CC	010A SN		
	1.5:1 CHP PWM		
	1000:1 CT, 1000:1 VT		

NP0090L	
FRONT	6311
PULLEY	6311
LUBRICATE WITH	
GREASE	POLYREX EM

NP VOLTS	230/460	MAX SAFE RPM	2700	WVE CONN EQ CKT OHMS PER PHASE (BASE RATING, 200)			
NP AMPS	62/31	Base Volt	460	R1	0.121	X1	0.578
HP	25 HP	NL AMPS	13.60	R2	0.588	X2	0.512
BASE SPEED	1778	Slips(HZ)	0.74	R2B	0.086	X2B	0.790
PHASE/Hz	3/60	Wk(2 I)	0.000	R2E	0.025	XM	16.600

Rated Full Load Data



	RPM	HP	Torque	Volts	Freq-Hz	Amps
Base Speed	1777.8	25.1	74.0	460	60	30.6
Max Speed	2666	25.1	49.4	460	90	27.9
Min Speed	0	0.0	74.0	15.59	0.74	30.6

Load Performance at Base Speed

	RPM	HP	Torque	Volts	Freq-Hz	Amps
No Load	1798.9	0.0	0.0	460	60	13.6
1/4	1794.1	6.2	18.2	460	60	15.3
1/2	1789.3	12.6	36.9	460	60	19.3
3/4	1783.5	18.8	55.3	460	60	24.6
Full Load	1777.8	25.1	74.0	460	60	30.6
O/L	1753	50.1	150.0	460	60	59.4

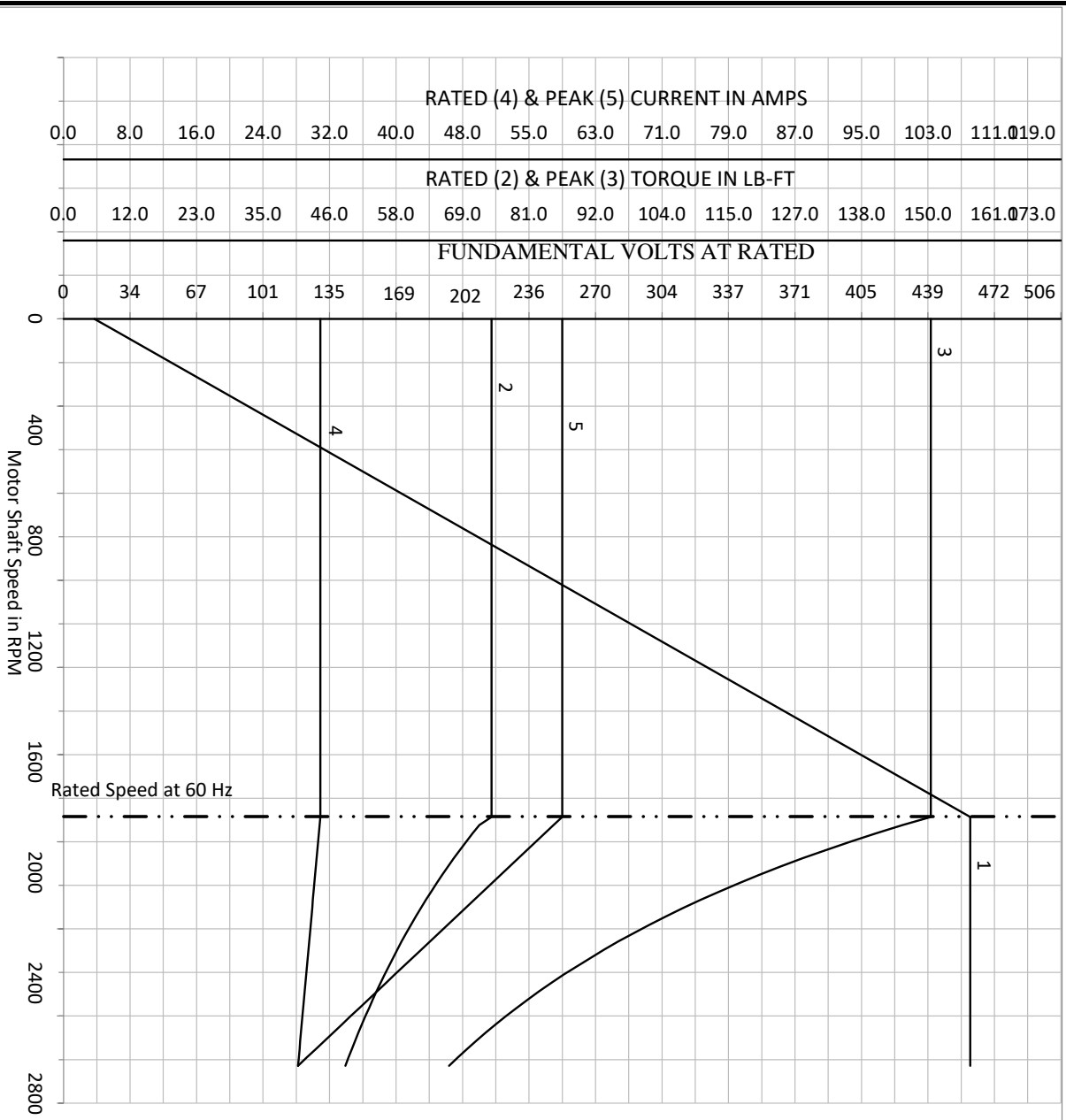
Blower Data	Volts	Ph/Hz	FL Amps	LR Amps	Frame	CFM

Remarks: Calculated Data
Vector PWM Inverter Duty

	DR BY	USBRANI	A-C MOTOR PERFORMANCE CURVES	10WGZ651
	CK BY	USBRANI		
	APP BY	USBRANI	Record: 68462	
A MEMBER OF THE ABB GROUP	DATE	12/13/2017		

NP VOLTS	230/460	MAX SAFE RPM	2700	WVE CONN EQ CKT OHMS PER PHASE (BASE RATING, 200)			
NP AMPS	62/31	Base Volt	460	R1	0.121	X1	0.578
HP	25 HP	NL AMPS	13.60	R2	0.588	X2	0.512
BASE SPEED	1777.80005	Slips(HZ)	0.74	R2B	0.086	X2B	0.790
PHASE/HZ	3/60	W/K2 ()	0.000	R2E	0.025	XM	16.600

Vector PWM Inverter Duty
Variable Speed AC Motor Curves



Calculated Data
Data Valid For Nameplate Speed Range only

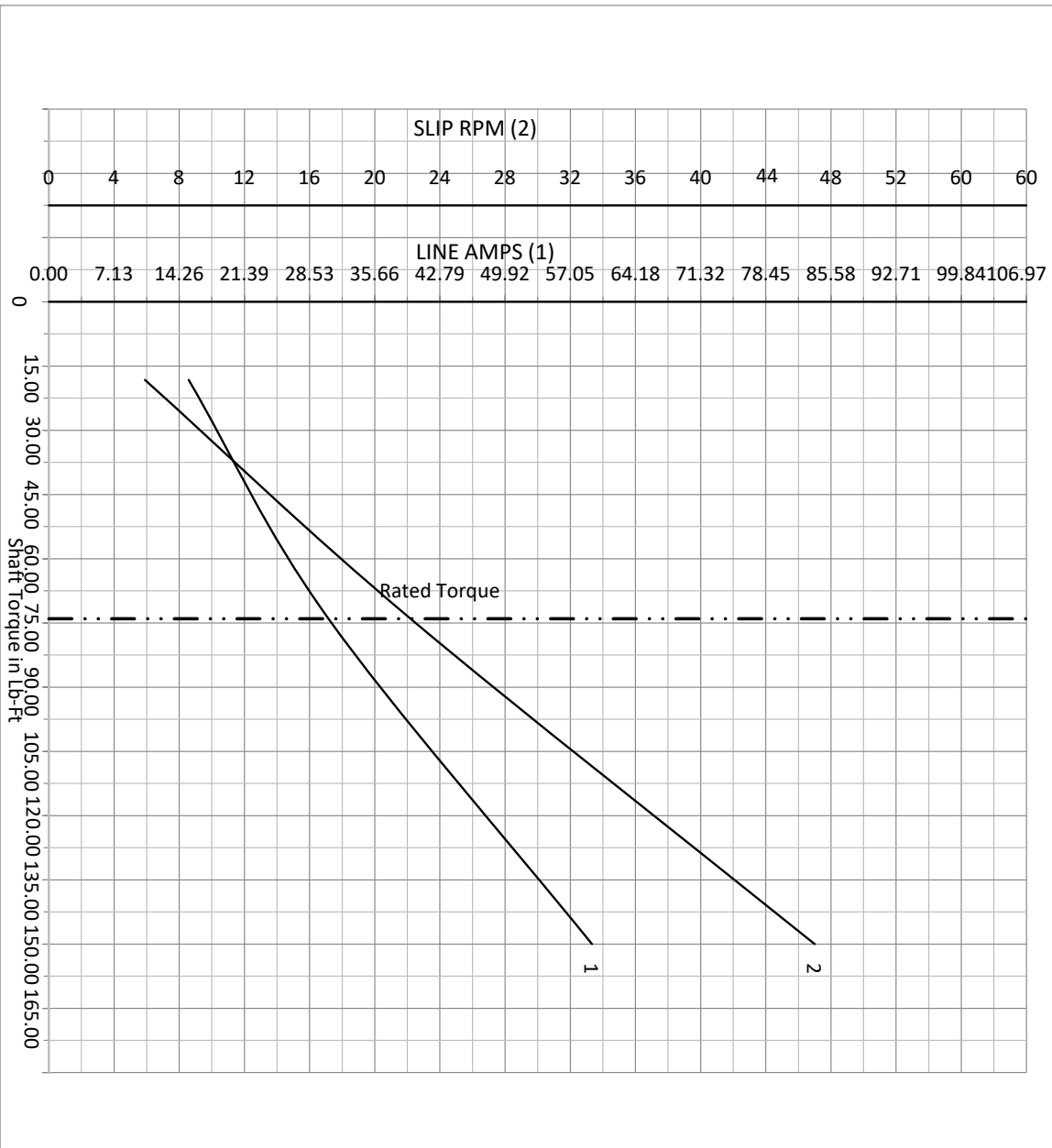
BALDOR
A MEMBER OF THE ABB GROUP

DR BY USBRRANI
CK BY
APP BY USBRRANI
DATE 12/13/2017

A-C MOTOR PERFORMANCE CURVES
10W/GZ651
Record: 68462

NP VOLTS	230/460	MAX SAFE RPM	2700	WYE CONN EQ CKT OHMS PER PHASE (BASE RATING, 200)			
NP AMPS	62/31	Base Volt	460	R1	0.121	X1	0.578
HP	25 HP	NL AMPS	13.60	R2	0.588	X2	0.512
BASE SPEED	1777.800049	Slips(HZ)	0.74	R2B	0.086	X2B	0.790
PHASE/HZ	3/60	WK2 ()	0.000	R2E	0.025	XM	16.600

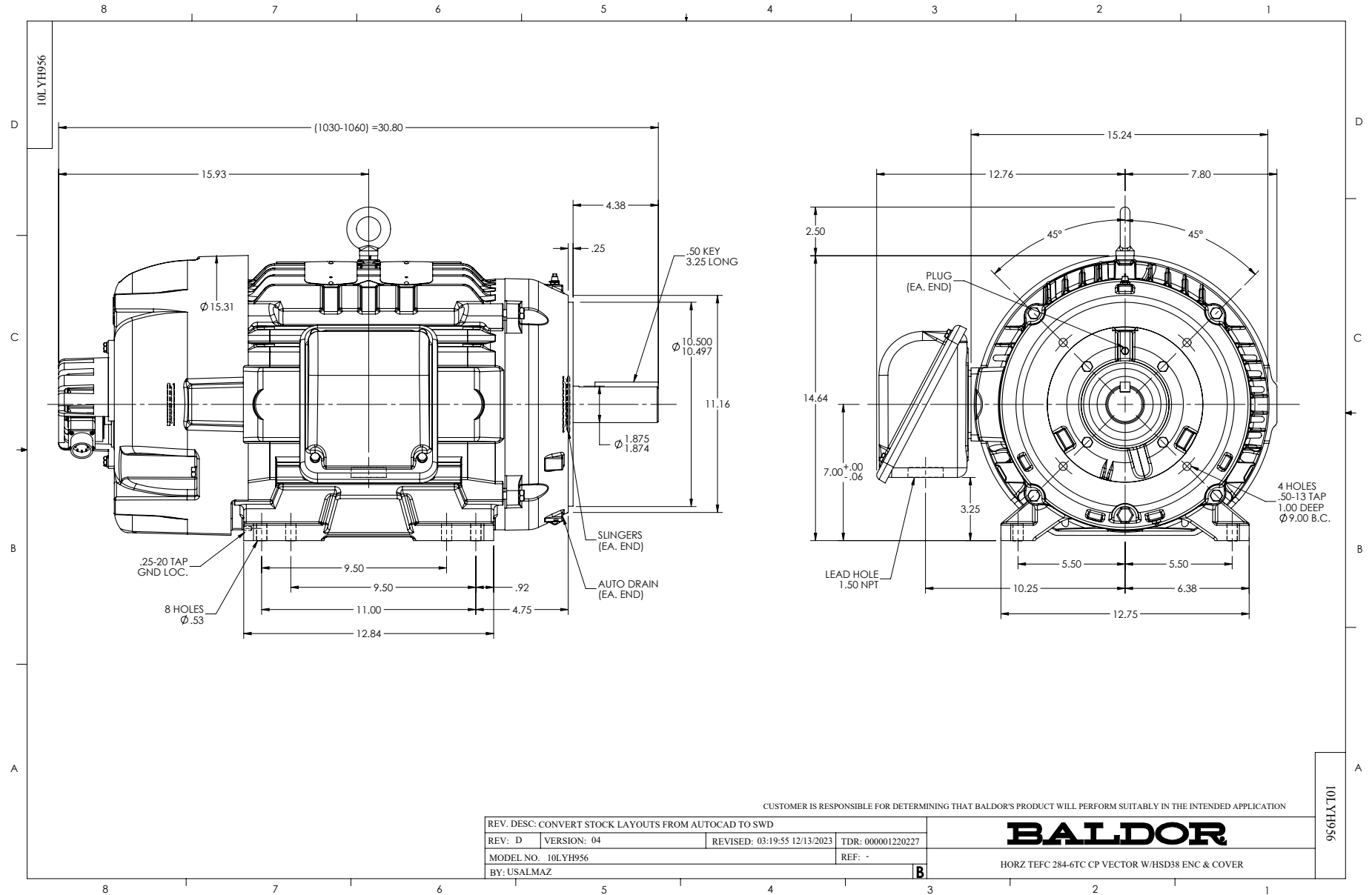
Vector PWM Inverter Duty
Variable Speed AC Motor Curves



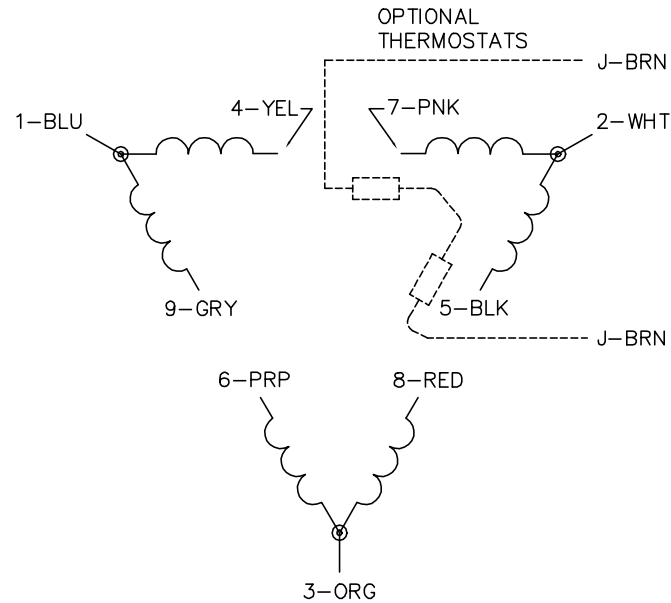
Calculated Data

Data Valid For Nameplate Speed Range only

<p>BALDOR A MEMBER OF THE ABB GROUP</p>	DR BY	USBRRANI	<p>A-C MOTOR PERFORMANCE CURVES 10WGZ651</p>
	CK BY		
	APP BY	USBRRANI	<p>Record: 68462</p>
	DATE	12/13/2017	



CD0180



LOW VOLTAGE
(2D)



HIGH VOLTAGE
(1D)



NOTES:

1. INTERCHANGE ANY TWO LINE LEADS TO REVERSE ROTATION.
2. OPTIONAL THERMOSTATS ARE PROVIDED WHEN SPECIFIED.
3. ACTUAL NUMBER OF INTERNAL PARALLEL CIRCUITS MAY BE A MULTIPLE OF THOSE SHOWN ABOVE.
4. LEAD COLORS ARE OPTIONAL. LEADS MUST ALWAYS BE NUMBERED AS SHOWN.

CD0180

REV. DESC: ADD CLASS CONN00000007		
REV. LTR: D	VERSION: 01	TDR: 000001099922
FILE: \AAA\00005\148	REVISED: 10: 25: 29 02/19/2019	BY: ENBRIRO
MTL: -	© □	

BALDOR - RELIANCE®

3PH, DV, 9 LEADS, DELTA CONNECTION

SH 1 of 1