

BALDOR • RELIANCE

Customer information packet

EM2531T-CI

25HP, 1775RPM, 3PH, 60HZ, 286T, 1050M, OPEN, F1

Class - None

Division - Not Applicable

Specifications

Enclosure	OPEN
Frame	286T
Frame Material	Iron
Frequency	60.00 Hz
Haz Area Class and Group	None
Haz Area Division	Not Applicable
Motor Letter Type	Three Phase
Output @ Frequency	25.000 HP @ 60 HZ
Phase	3
Synchronous Speed @ Frequency	1800 RPM @ 60 HZ
Voltage @ Frequency	460.0 V @ 60 HZ 230.0 V @ 60 HZ
Agency Approvals	NEMA PREMIUM NEMA_PREMIUM UR CSA EEV
Ambient Temperature	40 °C
Auxiliary Box	NO AUXILLARY BOX
Auxiliary Box Lead Termination	None
Base Indicator	Rigid
Bearing Grease Type	Polyrex EM (-20F +300F)
Blower	None
Current @ Voltage	62.000 A @ 230.0 V 66.000 A @ 208.0 V 31.000 A @ 460.0 V
Design Code	A
Drip Cover	No Drip Cover
Duty Rating	CONT
Efficiency @ 100% Load	93.6 %
Electrically Isolated Bearing	Not Electrically Isolated
Feedback Device	NO FEEDBACK
Front Face Code	Standard

Part detail

Revision	J
Type	AC
Mech. spec.	10D01
Base	
Status	PRD/A
Elec. spec.	10WGZ653
Layout	10LYD001
Eff. date	06-27-2024
CD Diagram	CD0180
Poles	04
Leads	9#10
Proprietary	False
Created date	06-30-2017

Front Shaft Indicator	None
Heater Indicator	No Heater
High Voltage Full Load Amps	31.0 a
Insulation Class	F
Inverter Code	Inverter Ready
KVA Code	H
Lifting Lugs	Standard Lifting Lugs
Locked Bearing Indicator	Locked Bearing
Motor Lead Exit	Ko Box
Motor Lead Quantity/Wire Size	9 @ 10 AWG
Motor Lead Termination	Flying Leads
Motor Standards	NEMA
Motor Type	1050M
Mounting Arrangement	F1
Number of Poles	4
Overall Length	24.94 IN
Power Factor	80
Product Family	General Purpose
Pulley End Bearing Type	Ball
Pulley Face Code	Standard
Pulley Shaft Indicator	Standard
Rodent Screen	None
Service Factor	1.15
Shaft Diameter	1.875 IN
Shaft Extension Location	Pulley End
Shaft Ground Indicator	No Shaft Grounding
Shaft Rotation	Reversible
Shaft Slinger Indicator	No Slinger
Speed	1775 rpm
Speed Code	Single Speed
Starting Method	Direct on line
Thermal Device - Bearing	None
Thermal Device - Winding	None
Vibration Sensor Indicator	No Vibration Sensor

Winding Thermal 1

None

Winding Thermal 2

None

Nameplate

NP3554LUA										
CAT.NO.	EM2531T-CI			P/N				ENCL		OPEN
SPEC.	10D001Z653G1	CC	010A	FRAME		286T	SER.NO.			
HP	25	CLASS		F	HZ	60				
RPM	1775	PH	3	DES		A				
VOLTS	230/460			CODE		H	ODE BRG	6309	DE BRG	6310
AMPS	62/31									
RATING	40C AMB-CONT			NEMA-NOM-EFF		93.6	GREASE	POLYREX EM		
PF	80	SER.F.	1.15	CT30-60(2:1) VT3-60(20:1)						
USABLE AT	50HZ 25HP 190/380V 74/37A			SF 1.0						
HTR-VOLTS	HTR-AMPS	MAX. SPACE HEATER TEMP.								

AC Induction Motor Performance Data

Record # 66181

Typical performance - not guaranteed values

Winding: 10WGZ653-R001		Type: 1050M		Enclosure: OPEN	
Nameplate Data			460 V, 60 Hz: High Voltage Connection		
Rated Output (HP)	25	Full Load Torque	73.7 LB-FT		
Volts	230/460	Start Configuration	direct on line		
Full Load Amps	62/31	Breakdown Torque	254 LB-FT		
R.P.M.	1770	Pull-up Torque	121 LB-FT		
Hz	60 Phase	3	Locked-rotor Torque	139 LB-FT	
NEMA Design Code	A KVA Code	H	Starting Current	215 A	
Service Factor (S.F.)	1.15	No-load Current	14.7 A		
NEMA Nom. Eff.	93.6 Power Factor	81	Line-line Res. @ 25°C	0.26502 Ω	
Rating - Duty	40C AMB-CONT	Temp. Rise @ Rated Load	27°C		
S.F. Amps		Temp. Rise @ S.F. Load	32°C		
		Locked-rotor Power Factor	32.1		

Load Characteristics 460 V, 60 Hz, 25 HP

% of Rated Load	25	50	75	100	125	150	S.F.
Power Factor	40	63	73	80	82	84	81
Efficiency	89.1	93.2	94.1	94.1	93.8	93.3	93.9
Speed	1794.8	1790.1	1785.2	1779.4	1774.2	1768	1776
Line amperes	16.3	20	25.2	31.2	37.7	44.5	35.1

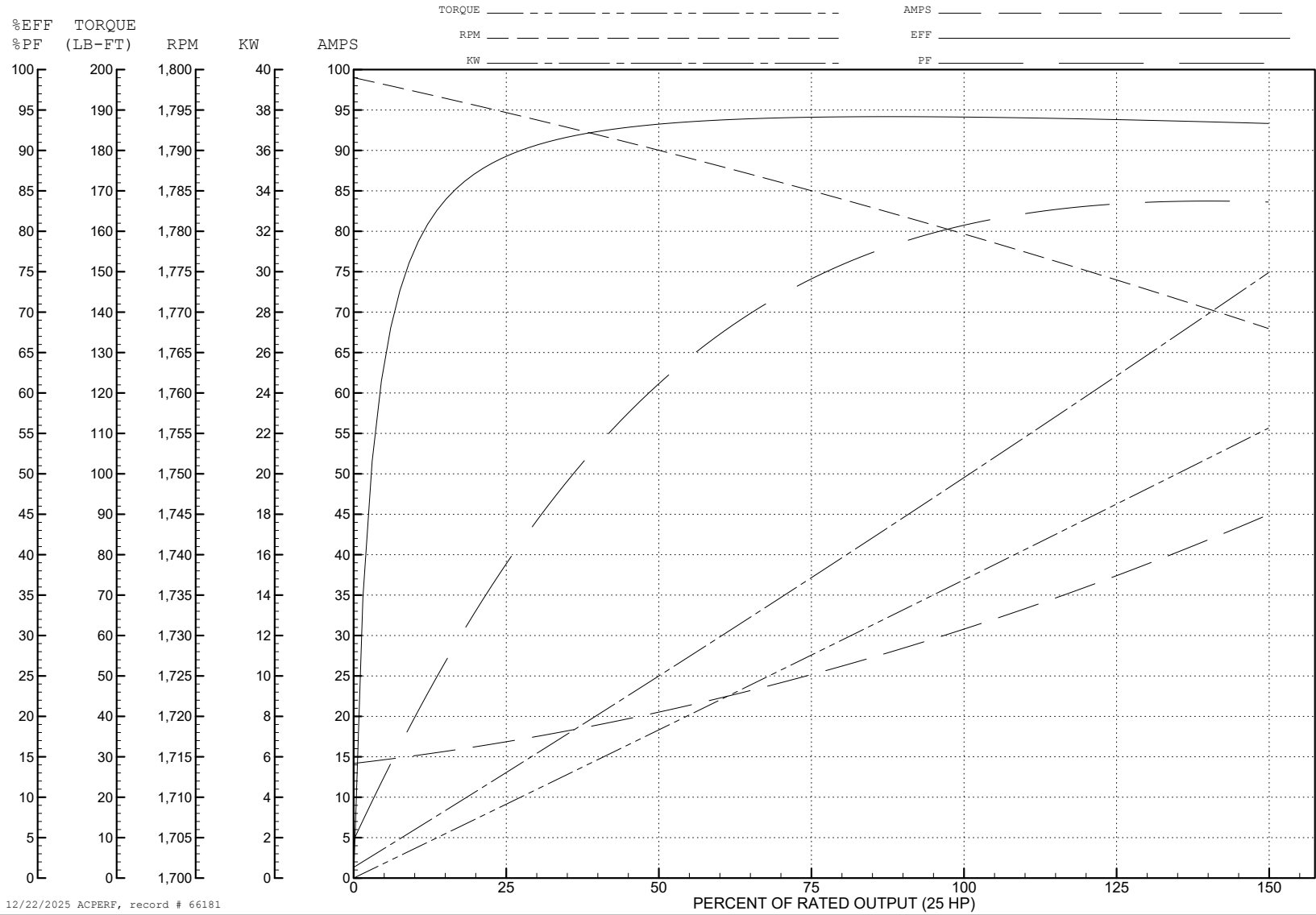
ABB Motors and Mechanical Inc.

WINDING # 10WGZ653

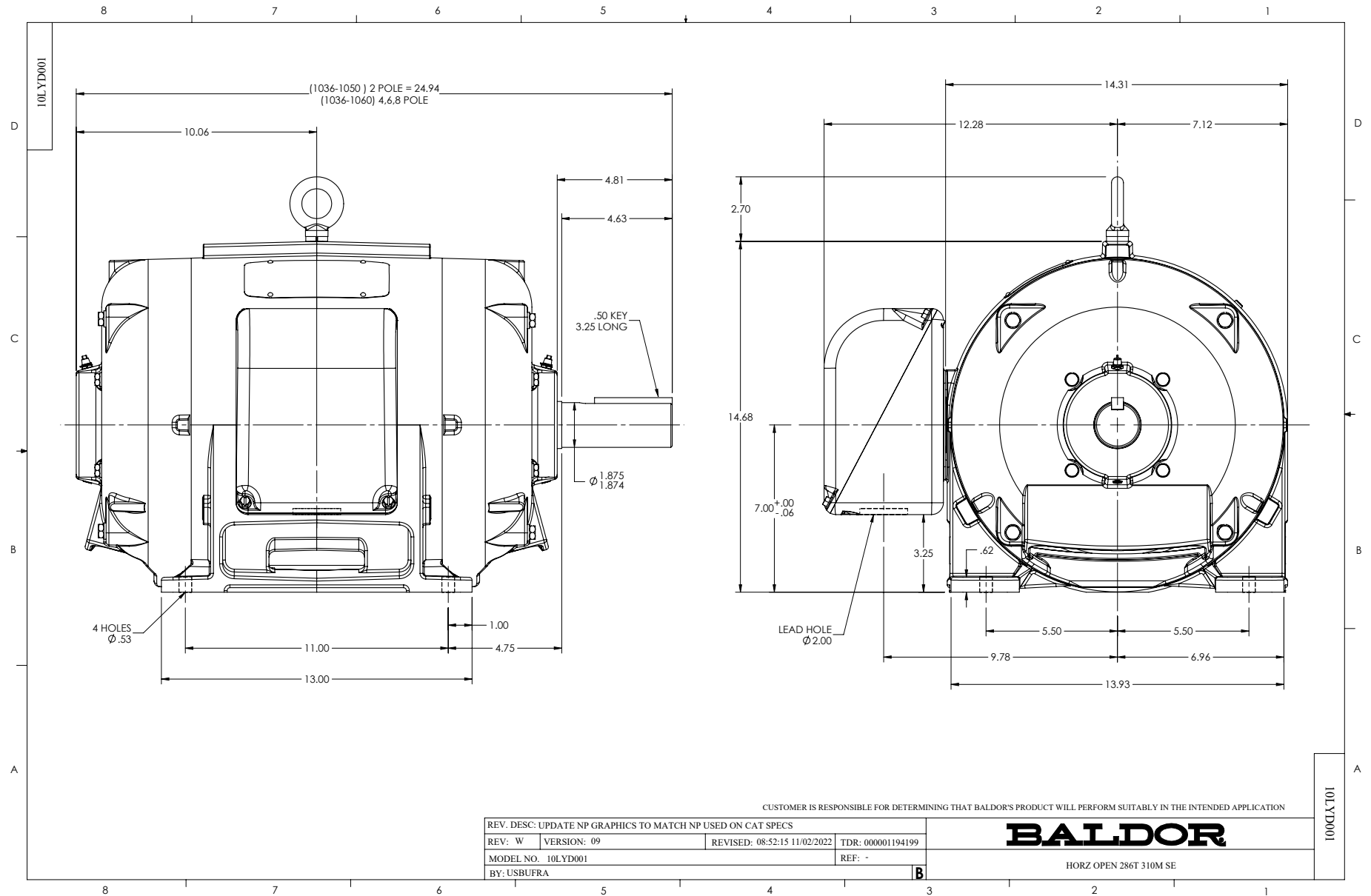
Typical performance - not guaranteed values.

25 HP 3 PH 60 HZ 1770 RPM 460 V 1050M

TORQUES (LB-FT): PO=254 PU=121 LR=139 LRA=215



12/22/2025 ACPERF, record # 66181



CD0180



LOW VOLTAGE
(2D)



HIGH VOLTAGE
(1D)



NOTES:

1. INTERCHANGE ANY TWO LINE LEADS TO REVERSE ROTATION.
2. OPTIONAL THERMOSTATS ARE PROVIDED WHEN SPECIFIED.
3. ACTUAL NUMBER OF INTERNAL PARALLEL CIRCUITS MAY BE A MULTIPLE OF THOSE SHOWN ABOVE.
4. LEAD COLORS ARE OPTIONAL. LEADS MUST ALWAYS BE NUMBERED AS SHOWN.

CD0180

REV. DESC: ADD CLASS CONN00000007		
REV. LTR: D	VERSION: 01	TDR: 000001099922
FILE: \AAA\00005\148	REVISED: 10: 25: 29 02/19/2019	BY: ENBRIRO
MTL: -	© □	

BALDOR - RELIANCE®

3PH, DV, 9 LEADS, DELTA CONNECTION

SH 1 of 1