



Customer information packet

EHM3154T-8

1.5HP, 1770RPM, 3PH, 60HZ, 145T, 3524M, OPSB, F

Class - None

Division - Not Applicable

Specifications

Enclosure	OPSB
Frame	145T
Frame Material	Steel
Frequency	60.00 Hz
Haz Area Class and Group	None
Haz Area Division	Not Applicable
Motor Letter Type	Three Phase
Output @ Frequency	1.500 HP @ 60 HZ
Phase	3
Synchronous Speed @ Frequency	1800 RPM @ 60 HZ
Voltage @ Frequency	200.0 V @ 60 HZ
Agency Approvals	CSA UR
Ambient Temperature	40 °C
Auxiliary Box	NO AUXILLARY BOX
Auxiliary Box Lead Termination	None
Base Indicator	Rigid
Bearing Grease Type	Polyrex EM (-20F +300F)
Blower	None
Current @ Voltage	4.900 A @ 200.0 V 5.060 A @ 208.0 V
Design Code	B
Drip Cover	No Drip Cover
Duty Rating	CONT
Efficiency @ 100% Load	86.5 %
Electrically Isolated Bearing	Not Electrically Isolated
Feedback Device	NO FEEDBACK
Front Shaft Indicator	None
Heater Indicator	No Heater
High Voltage Full Load Amps	4.9 a
Insulation Class	F
Inverter Code	Inverter Ready

Part detail

Revision	F
Type	AC
Mech. spec.	35VV807
Base	
Status	PRD/A
Elec. spec.	35WGG121
Layout	35LYVV807
Eff. date	05-05-2025
CD Diagram	CD0006
Poles	04
Leads	3#18
Proprietary	False
Created date	03-11-2022

KVA Code	M
Lifting Lugs	Vertical Lifting Lugs
Locked Bearing Indicator	No Locked Bearing
Motor Lead Quantity/Wire Size	3 @ 18 AWG
Motor Lead Termination	Flying Leads
Motor Standards	NEMA
Motor Type	3524M
Mounting Arrangement	F1
Number of Poles	4
Overall Length	11.62 IN
Power Factor	75
Product Family	General Purpose
Pulley End Bearing Type	Ball
Pulley Face Code	Standard
Pulley Shaft Indicator	Standard
Rodent Screen	None
Service Factor	1.15
Shaft Diameter	0.875 IN
Shaft Ground Indicator	No Shaft Grounding
Shaft Rotation	Reversible
Shaft Slinger Indicator	No Slinger
Speed	1770 rpm
Speed Code	Single Speed
Starting Method	Direct on line
Thermal Device - Bearing	None
Thermal Device - Winding	None
Vibration Sensor Indicator	No Vibration Sensor
Winding Thermal 1	None
Winding Thermal 2	None

Nameplate

NP2094C06B03									
CAT.NO.	EHM3154T-8								
SPEC.	35VV807G121G1								
HP	1.5								
VOLTS	200								
AMPS	4.9								
RPM	1770								
FRAME	145T		HZ	60		PH	3		
SER.F.	1.15	CODE	M	DES	B	CL	F		
NEMA-NOM-EFF	86.5	PF	75						
RATING	40C AMB-CONT								
CC	010A								
DE	6205	ODE	6203						
AUTO	N	MANUAL	N	NONE	Y				
ENCL	OPSB	SN							
BLANK	SFA 5.18								

AC Induction Motor Performance Data

Record # 87250

Preliminary Data Sheet

Winding: 35WGG121-R004		Type: 3524M		Enclosure: OPEN	
Nameplate Data			200 V, 60 Hz: High Voltage Connection		
Rated Output (HP)	1.5	Full Load Torque	4.46 LB-FT		
Volts	200	Start Configuration	direct on line		
Full Load Amps	4.9	Breakdown Torque	18.41 LB-FT		
R.P.M.	1770	Pull-up Torque	9.82 LB-FT		
Hz	60	Locked-rotor Torque	12.07 LB-FT		
NEMA Design Code	B	Starting Current	44.32 A		
Service Factor (S.F.)	1.15	No-load Current	2.94 A		
NEMA Nom. Eff.	86.5	Line-line Res. @ 25°C	2.28 Ω		
Rating - Duty	40C	Temp. Rise @ Rated Load	39°C		
S.F. Amps	AMB-CONT	Temp. Rise @ S.F. Load	46°C		
		Locked-rotor Power Factor	60.3		
		Rotor inertia	0.173 lb-ft ²		

Load Characteristics 200 V, 60 Hz, 1.5 HP

% of Rated Load	25	50	75	100	125	150	S.F.
Power Factor	35	55	68	75	81	84	83
Efficiency	77.2	85	87	87.3	86.7	85.5	86.3
Speed	1792	1786	1779	1771	1763	1754	1763
Line amperes	3.11	3.52	4.15	4.92	5.8	6.78	5.18

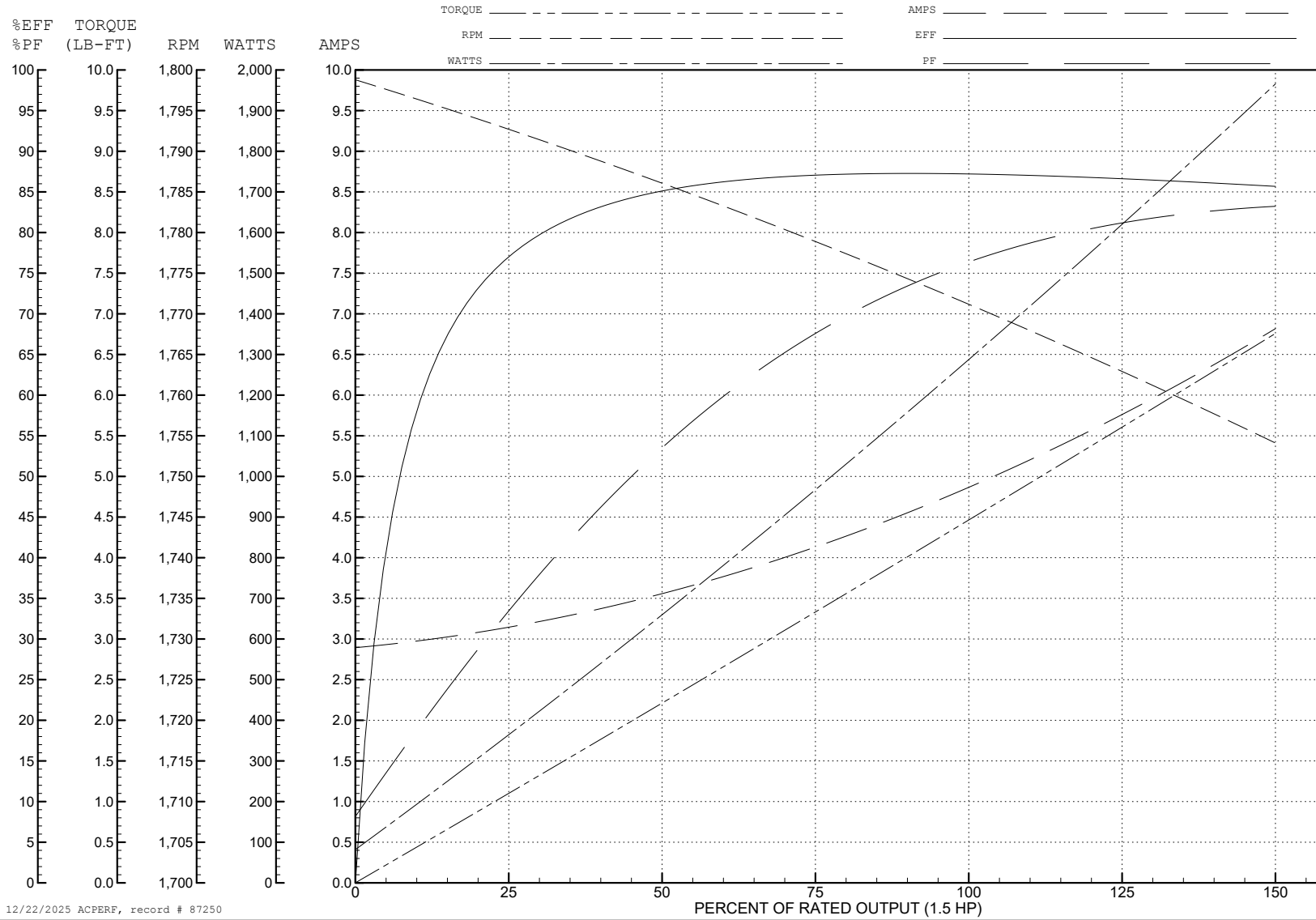
ABB Motors and Mechanical Inc.

WINDING # 35WGG121

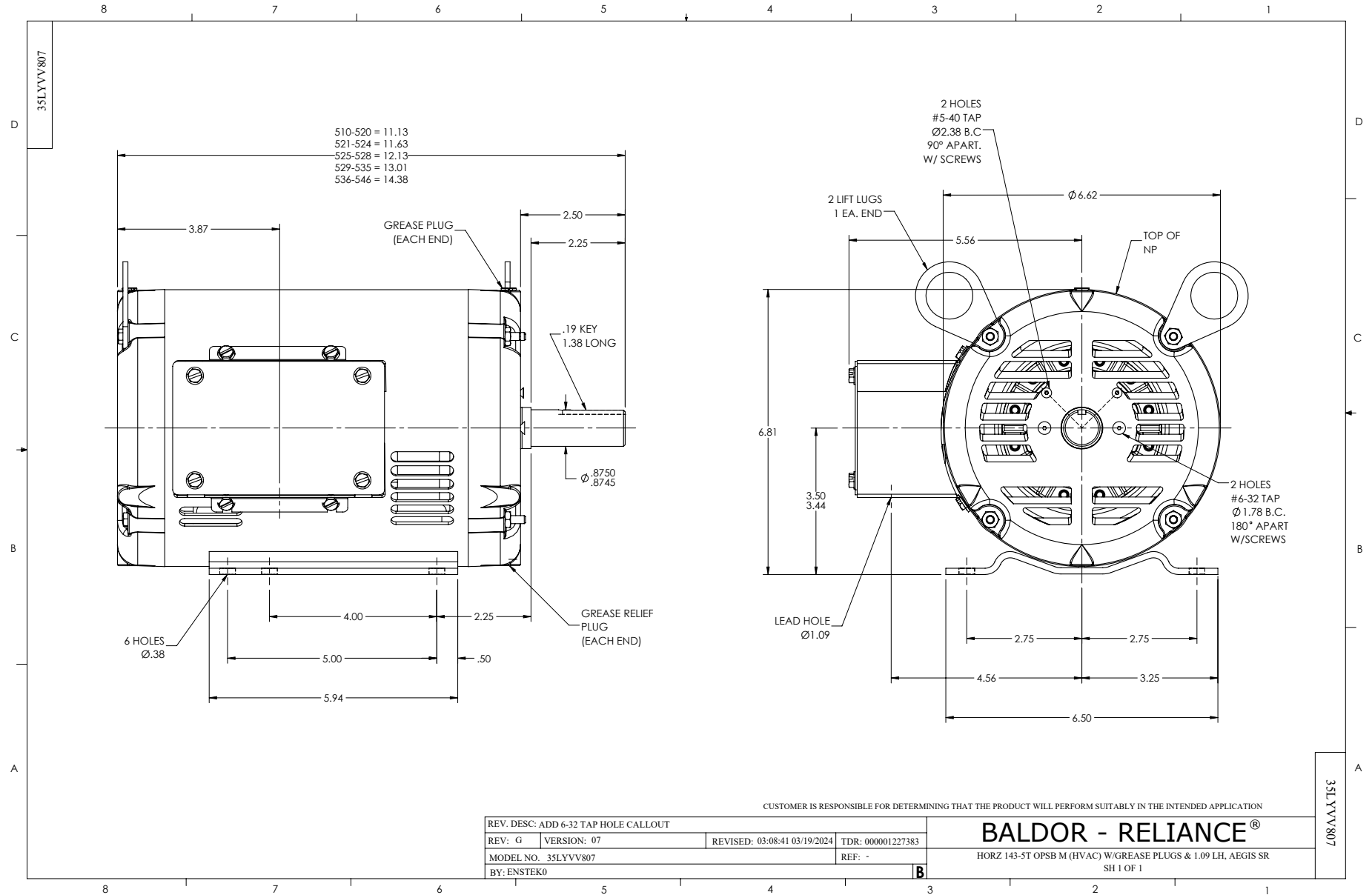
Typical performance - not guaranteed values.

1.5 HP 3 PH 60 HZ 1770 RPM 200 V 3524M

TORQUES (LB-FT): PO=18.41 PU=9.82 LR=12.07 LRA=44.32



12/22/2025 ACPERF, record # 87250



CD0006



NOTES:

1. THREE LEAD MOTOR MAY BE EITHER WYE CONNECTED OR DELTA CONNECTED.
2. INTERCHANGE ANY TWO LINE LEADS TO REVERSE ROTATION.
3. OPTIONAL THERMOSTATS ARE PROVIDED WHEN SPECIFIED.
4. ACTUAL NUMBER OF INTERNAL PARALLEL CIRCUITS MAY VARY.
5. LEAD COLORS ARE OPTIONAL. LEADS MUST BE NUMBERED AS SHOWN.

CD0006

REV. DESC: ADD CLASS CONN00000007		
REV. LTR: E	VERSION: 01	TDR: 000001099922
FILE: \AAA\00005\141	REVISED: 10:24:49 02/19/2019	BY: ENBRIRO
MTL: -	© □	

BALDOR - RELIANCE®

3PH, SV, 3 LEADS, WYE OR DELTA CONNECTED

SH 1 of 1