



Customer information packet

EHM2333T-5

15HP, 1765RPM, 3PH, 60HZ, 254T, 0944M, TEFC, F1

Class - None

Division - Not Applicable

Specifications

Enclosure	TEFC
Frame	254T
Frame Material	Iron
Frequency	60.00 Hz
Haz Area Class and Group	None
Haz Area Division	Not Applicable
Motor Letter Type	Three Phase
Output @ Frequency	15.000 HP @ 60 HZ
Phase	3
Synchronous Speed @ Frequency	1800 RPM @ 60 HZ
Voltage @ Frequency	575.0 V @ 60 HZ
Agency Approvals	UR CSA CSA EEV
Ambient Temperature	40 °C
Auxiliary Box	NO AUXILLARY BOX
Auxiliary Box Lead Termination	None
Base Indicator	Rigid
Bearing Grease Type	Polyrex EM (-20F +300F)
Blower	None
Current @ Voltage	14.600 A @ 575.0 V
Design Code	A
Drip Cover	No Drip Cover
Duty Rating	CONT
Efficiency @ 100% Load	92.4 %
Electrically Isolated Bearing	Not Electrically Isolated
Feedback Device	NO FEEDBACK
Front Face Code	Standard
Front Shaft Indicator	None
Heater Indicator	No Heater
High Voltage Full Load Amps	14.6 a
Insulation Class	F

Part detail

Revision	AA
Type	AC
Mech. spec.	09J970
Base	
Status	PRD/A
Elec. spec.	09WGT124
Layout	09LYJ970
Eff. date	07-10-2024
CD Diagram	CD0006
Poles	04
Leads	3#12
Proprietary	False
Created date	10-23-2015

Inverter Code	Inverter Ready
KVA Code	H
Lifting Lugs	Standard Lifting Lugs
Locked Bearing Indicator	Locked Bearing
Motor Lead Exit	Ko Box
Motor Lead Quantity/Wire Size	3 @ 12 AWG
Motor Lead Termination	Flying Leads
Motor Standards	NEMA
Motor Type	0944M
Mounting Arrangement	F1
Number of Poles	4
Overall Length	23.28 IN
Power Factor	83
Product Family	General Purpose
Pulley End Bearing Type	Ball
Pulley Face Code	Standard
Pulley Shaft Indicator	Standard
Rodent Screen	None
Service Factor	1.15
Shaft Diameter	1.625 IN
Shaft Extension Location	Pulley End
Shaft Ground Indicator	Mounting Provisions Only
Shaft Rotation	Reversible
Shaft Slinger Indicator	No Slinger
Speed	1765 rpm
Speed Code	Single Speed
Starting Method	Direct on line
Thermal Device - Bearing	None
Thermal Device - Winding	None
Vibration Sensor Indicator	No Vibration Sensor
Winding Thermal 1	None
Winding Thermal 2	None

Nameplate

NP1259L									
CAT.NO.	EHM2333T-5								
SPEC.	09J970T124G1								
HP	15								
VOLTS	575								
AMP	14.6								
RPM	1765								
FRAME	254T		HZ	60		PH	3		
SER.F.	1.15	CODE	H	DES	A	CL	F		
NEMA-NOM-EFF	92.4	PF	83						
RATING	40C AMB-CONT								
CC	010A								
DE	6309		ODE	6208					
ENCL	TEFC	SN							
	SFA 16.7								

AC Induction Motor Performance Data

Record # 47378

Typical performance - not guaranteed values

Winding: 09WGT124-R001		Type: 0944M		Enclosure: TEFC	
Nameplate Data			575 V, 60 Hz: Single Voltage Motor		
Rated Output (HP)	15	Full Load Torque	44.5 LB-FT		
Volts	575	Start Configuration	direct on line		
Full Load Amps	14.6	Breakdown Torque	153 LB-FT		
R.P.M.	1765	Pull-up Torque	69.5 LB-FT		
Hz	60	Locked-rotor Torque	86.5 LB-FT		
NEMA Design Code	A	Starting Current	102 A		
Service Factor (S.F.)	1.15	No-load Current	6.05 A		
NEMA Nom. Eff.	92.4	Line-line Res. @ 25°C	0.874 Ω		
Rating - Duty	40C	Temp. Rise @ Rated Load	54°C		
S.F. Amps	AMB-CONT	Temp. Rise @ S.F. Load	66°C		
		Locked-rotor Power Factor	33.1		
		Rotor inertia	1.92 lb-ft ²		

Load Characteristics 575 V, 60 Hz, 15 HP

% of Rated Load	25	50	75	100	125	150	S.F.
Power Factor	45	69	78	83	85	87	86
Efficiency	88.1	92.3	92.6	92.4	91.5	90.5	92.2
Speed	1791	1783	1774	1765	1755	1743	1769
Line amperes	6.9	8.8	11.6	14.6	18.1	21.5	16.3

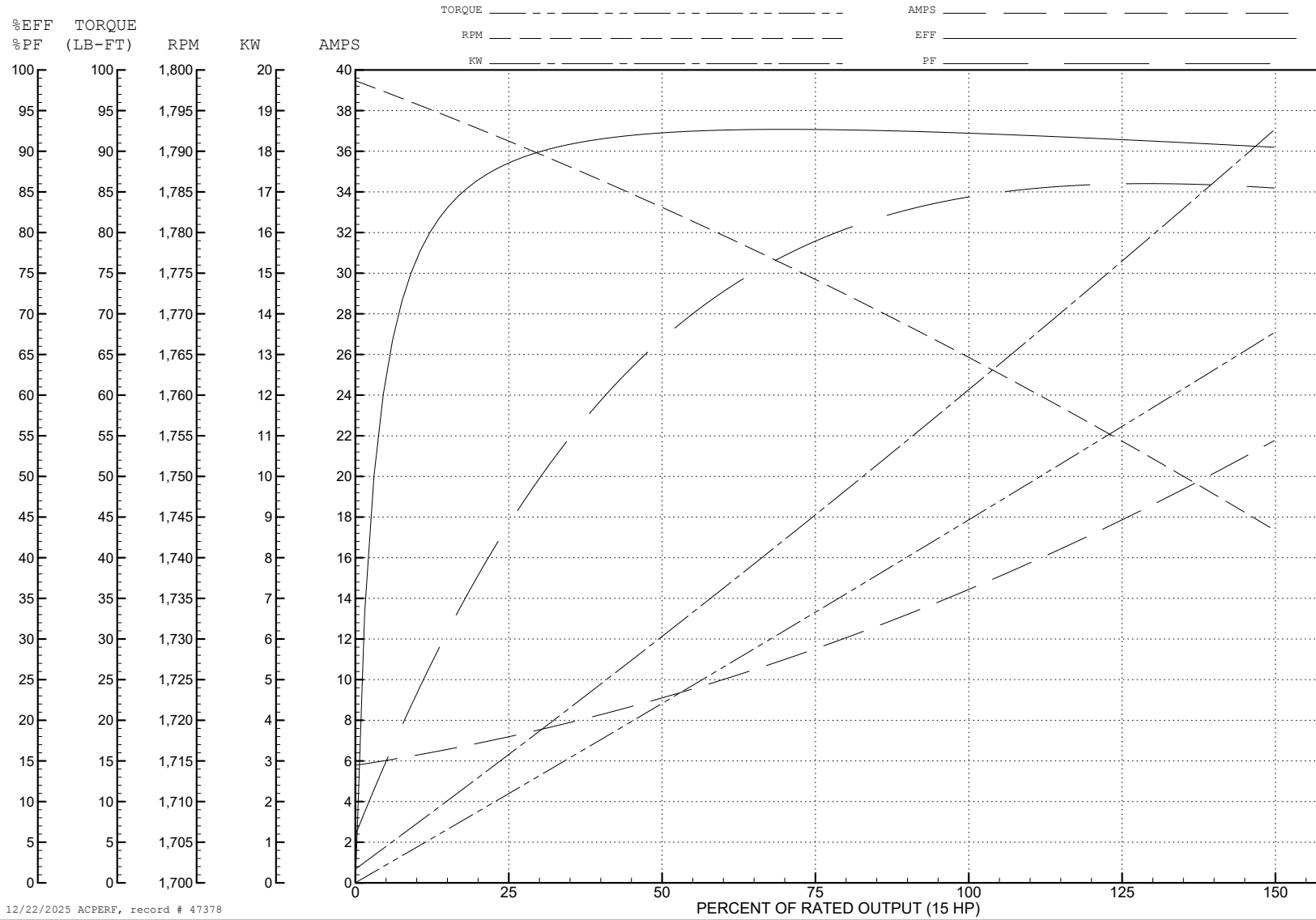
ABB Motors and Mechanical Inc.

WINDING # 09WGT124

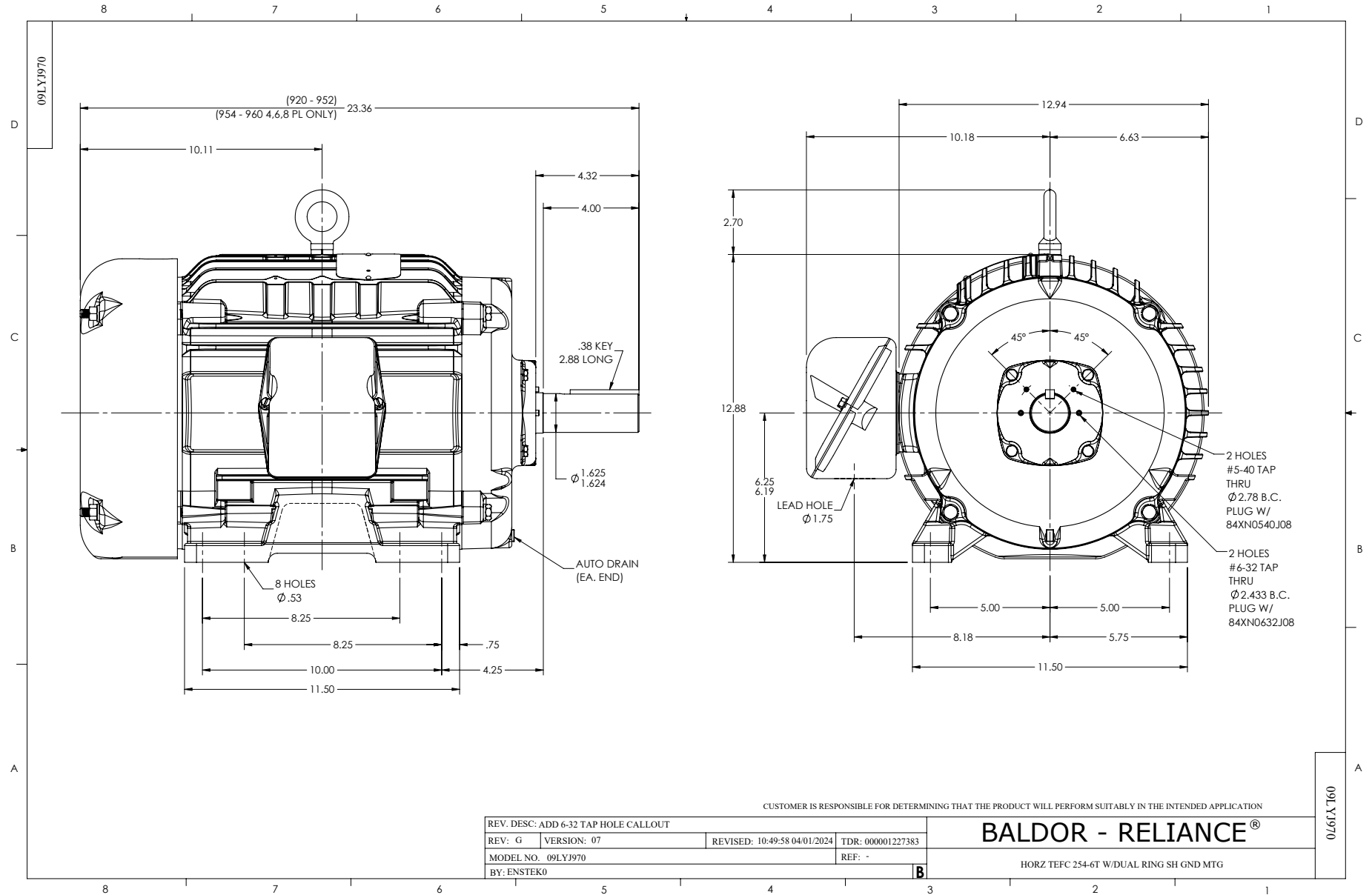
Typical performance - not guaranteed values.

15 HP 3 PH 60 HZ 1765 RPM 575 V 0944M

TORQUES (LB-FT): PO=153 PU=69.5 LR=86.5 LRA=102



12/22/2025 ACPERF, record # 47378



CD0006



NOTES:

1. THREE LEAD MOTOR MAY BE EITHER WYE CONNECTED OR DELTA CONNECTED.
2. INTERCHANGE ANY TWO LINE LEADS TO REVERSE ROTATION.
3. OPTIONAL THERMOSTATS ARE PROVIDED WHEN SPECIFIED.
4. ACTUAL NUMBER OF INTERNAL PARALLEL CIRCUITS MAY VARY.
5. LEAD COLORS ARE OPTIONAL. LEADS MUST BE NUMBERED AS SHOWN.

CD0006

REV. DESC: ADD CLASS CONN00000007		
REV. LTR: E	VERSION: 01	TDR: 000001099922
FILE: \AAA\00005\141	REVISED: 10:24:49 02/19/2019	BY: ENBRIRO
MTL: -	© □	

BALDOR - RELIANCE®

3PH, SV, 3 LEADS, WYE OR DELTA CONNECTED

SH 1 of 1