



Customer information packet

EFM3157T-8

2HP, 1755RPM, 3PH, 60HZ, 145T, 3528M, OPSB, F2

Class - None

Division - Not Applicable

Specifications

| | |
|--------------------------------|---|
| Enclosure | OPSB |
| Frame | 145T |
| Frame Material | Steel |
| Frequency | 60.00 Hz |
| Haz Area Class and Group | None |
| Haz Area Division | Not Applicable |
| Motor Letter Type | Three Phase |
| Output @ Frequency | 2.000 HP @ 60 HZ |
| Phase | 3 |
| Synchronous Speed @ Frequency | 1800 RPM @ 60 HZ |
| Voltage @ Frequency | 200.0 V @ 60 HZ |
| Agency Approvals | CSA EEV NEMA PREMIUM NEMA_PREMIUM UR |
| Ambient Temperature | 40 °C |
| Auxiliary Box | NO AUXILLARY BOX |
| Auxiliary Box Lead Termination | None |
| Base Indicator | Rigid |
| Bearing Grease Type | Polyrex EM (-20F +300F) |
| Blower | None |
| Current @ Voltage | 6.700 A @ 200.0 V |
| Design Code | B |
| Drip Cover | No Drip Cover |
| Duty Rating | CONT |
| Efficiency @ 100% Load | 86.5 % |
| Electrically Isolated Bearing | Not Electrically Isolated |
| Feedback Device | NO FEEDBACK |
| Front Shaft Indicator | None |
| Heater Indicator | No Heater |
| High Voltage Full Load Amps | 6.7 a |
| Insulation Class | F |

Part detail

| | |
|--------------|------------|
| Revision | E |
| Type | AC |
| Mech. spec. | 35QQ188 |
| Base | |
| Status | PRD/A |
| Elec. spec. | 35WGG112 |
| Layout | 35LYQQ188 |
| Eff. date | 06-11-2024 |
| CD Diagram | CD0006 |
| Poles | 04 |
| Leads | 3#18 |
| Proprietary | False |
| Created date | 01-10-2022 |

| | |
|-------------------------------|---------------------|
| Inverter Code | Not Inverter |
| IP Rating | NONE |
| KVA Code | L |
| Lifting Lugs | No Lifting Lugs |
| Locked Bearing Indicator | No Locked Bearing |
| Motor Lead Quantity/Wire Size | 3 @ 18 AWG |
| Motor Lead Termination | Flying Leads |
| Motor Standards | NEMA |
| Motor Type | 3528M |
| Mounting Arrangement | F2 |
| Number of Poles | 4 |
| Overall Length | 12.13 IN |
| Power Factor | 74 |
| Product Family | General Purpose |
| Pulley End Bearing Type | Ball |
| Pulley Face Code | Standard |
| Pulley Shaft Indicator | Standard |
| Rodent Screen | None |
| Service Factor | 1.15 |
| Shaft Diameter | 0.875 IN |
| Shaft Ground Indicator | No Shaft Grounding |
| Shaft Rotation | Reversible |
| Shaft Slinger Indicator | No Slinger |
| Speed | 1765 rpm |
| Speed Code | Single Speed |
| Starting Method | Direct on line |
| Thermal Device - Bearing | None |
| Thermal Device - Winding | None |
| Vibration Sensor Indicator | No Vibration Sensor |
| Winding Thermal 1 | None |
| Winding Thermal 2 | None |

Nameplate

| NP3553L | | | | | | | | | |
|----------------------------------|--------------|-------------|------------|------------|---|--------------|---|--|--|
| CAT.NO. | EFM3157T-8 | | | | | | | | |
| SPEC | 35QQ188G112 | | | | | | | | |
| HP | 2 | | | | | | | | |
| VOLTS | 200 | | | | | | | | |
| AMPS | 6.7 | | | | | | | | |
| RPM | 1765 | | | | | | | | |
| FRAME | 145T | | HZ | 60 | | PH | 3 | | |
| SF | 1.15 | CODE | L | DES | B | CLASS | F | | |
| NEMA NOM. EFF | 86.5 | PF | 74 | | | | | | |
| RATING | 40C AMB-CONT | | | | | | | | |
| CC | 010A | | | | | | | | |
| ENCL | OPSB | SER | | | | | | | |
| DE | 6205 | | ODE | 6203 | | | | | |
| VPWM INVERTER READY | | SFA 7.13 | | | | | | | |
| CT30-60(2:1) VT3-60(20:1) | | | | | | | | | |

Accessories

| Part number | Description | Multiplier |
|--------------------|--------------------|-------------------|
| 35-8764 | C FACE KIT | A8 |
| 35EP1604A01SP | D-FLANGE KIT | |

AC Induction Motor Performance Data

Record # 89651

Typical performance - not guaranteed values

| Winding: 35WGG112-R001 | | Type: 3528M | | Enclosure: OPEN | |
|-------------------------------|--------------|----------------------------------|---|------------------------|--|
| Nameplate Data | | | 200 V, 60 Hz: Single Voltage Motor | | |
| Rated Output (HP) | 2 | Full Load Torque | 5.951 LB-FT | | |
| Volts | 200 | Start Configuration | direct on line | | |
| Full Load Amps | 6 | Breakdown Torque | 20.7 LB-FT | | |
| R.P.M. | 1755 | Pull-up Torque | 12.2 LB-FT | | |
| Hz | 60 | Locked-rotor Torque | 15.3 LB-FT | | |
| NEMA Design Code | B | Starting Current | 50.6 A | | |
| Service Factor (S.F.) | 1.15 | No-load Current | 3.6 A | | |
| NEMA Nom. Eff. | 86.5 | Line-line Res. @ 25°C | 1.8789 Ω | | |
| Rating - Duty | 40C AMB-CONT | Temp. Rise @ Rated Load | 54°C | | |
| S.F. Amps | | Temp. Rise @ S.F. Load | 66°C | | |
| | | Locked-rotor Power Factor | 56.9334 | | |

Load Characteristics 200 V, 60 Hz, 2 HP

| % of Rated Load | 25 | 50 | 75 | 100 | 125 | 150 | S.F. |
|------------------------|-----------|-----------|-----------|------------|------------|------------|-------------|
| Power Factor | 36 | 57 | 70 | 78 | 83 | 85 | 81 |
| Efficiency | 78 | 85.4 | 86.8 | 86.4 | 85.2 | 83.5 | 85.7 |
| Speed | 1791 | 1782.3 | 1773.1 | 1762.5 | 1750.9 | 1738.4 | 1756 |
| Line amperes | 3.8 | 4.4 | 5.27 | 6.37 | 7.64 | 9.05 | 7.13 |

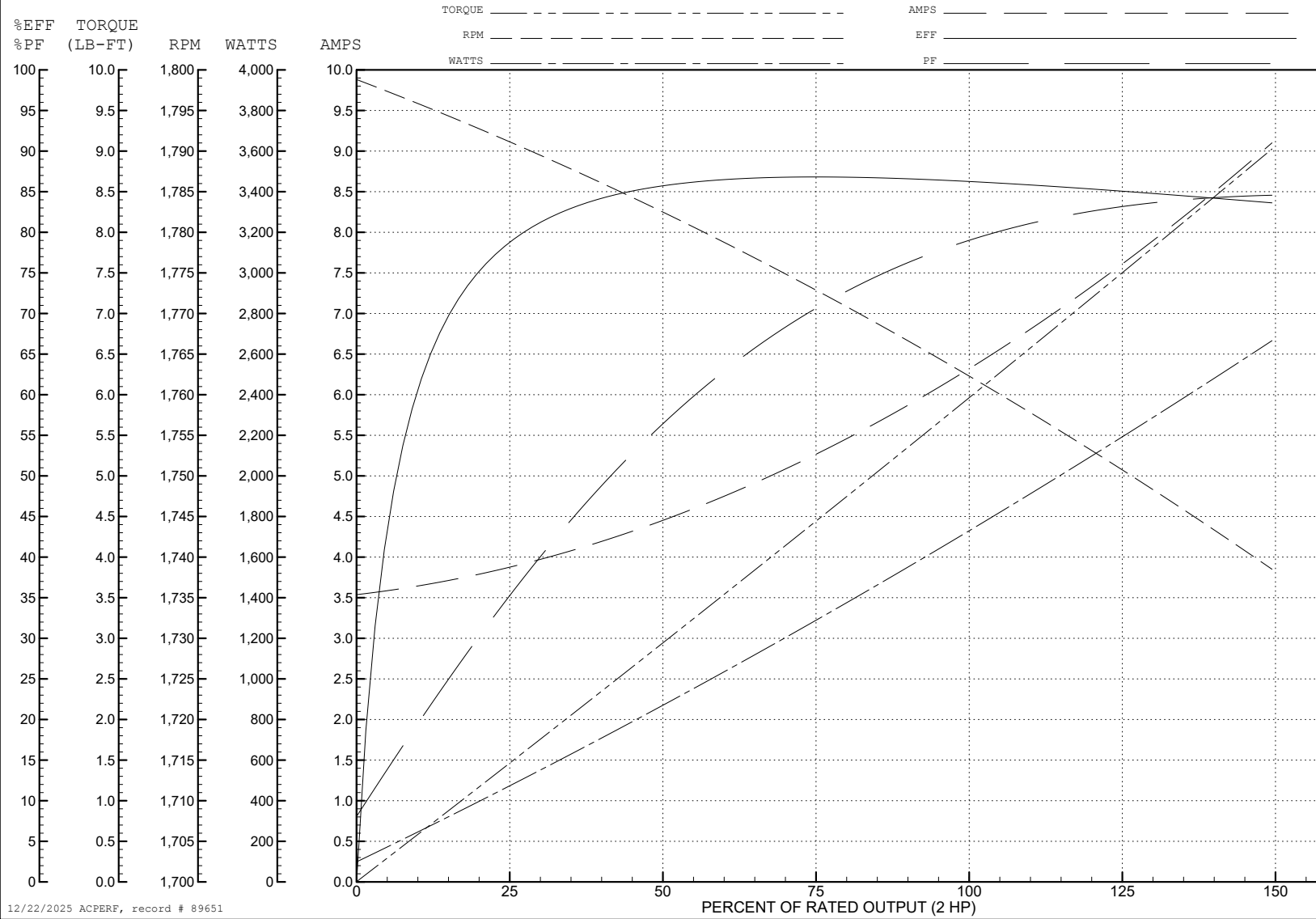
ABB Motors and Mechanical Inc.

WINDING # 35WGG112

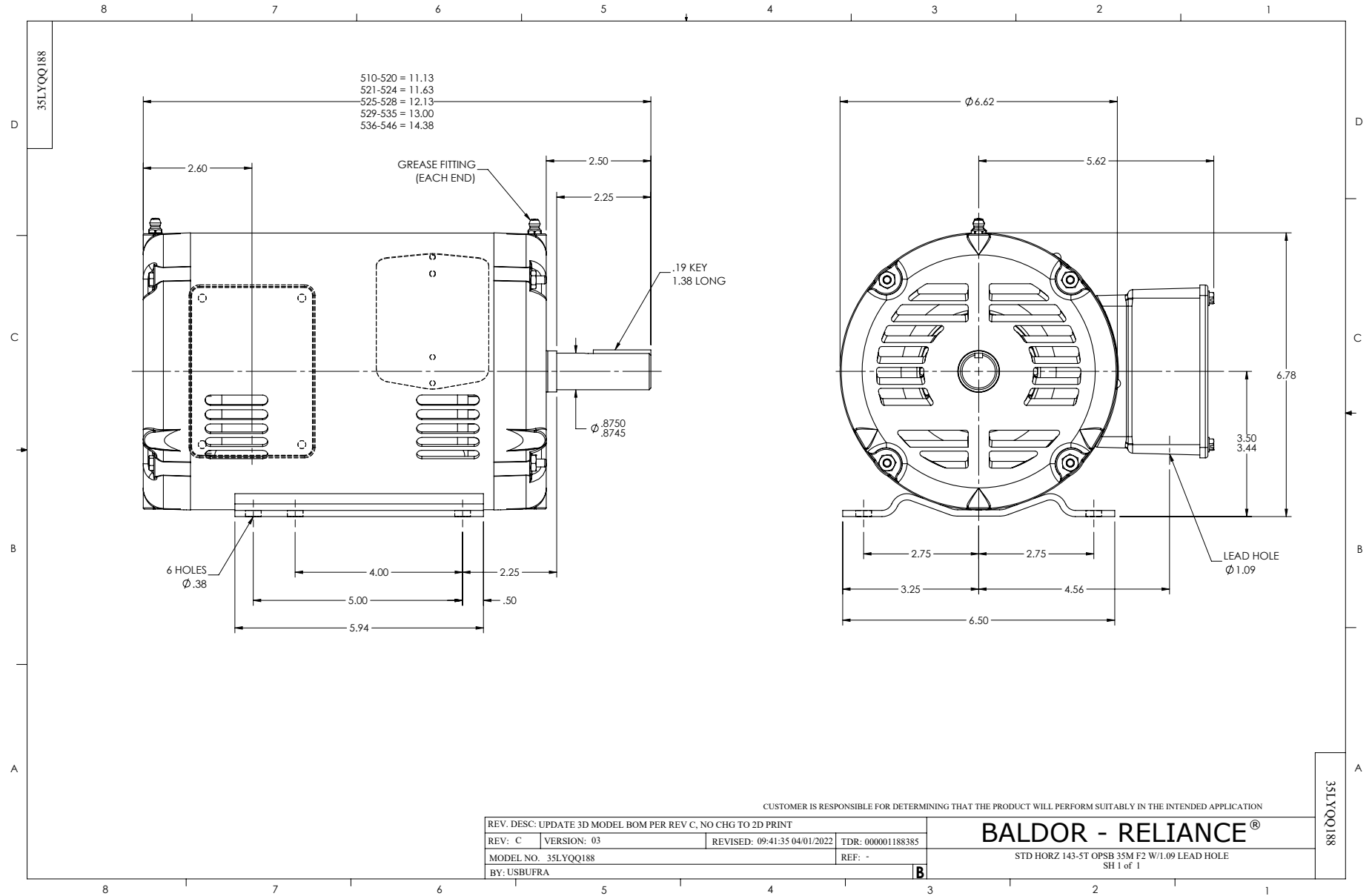
Typical performance - not guaranteed values.

2 HP 3 PH 60 HZ 1755 RPM 200 V 3528M

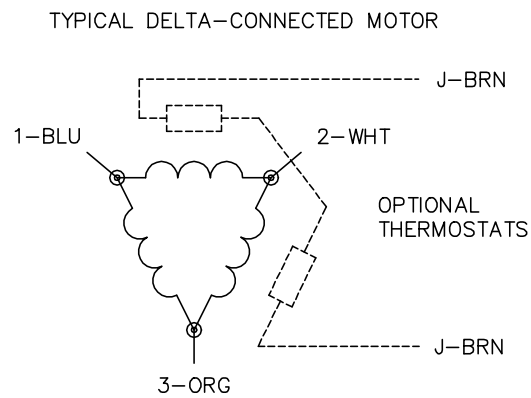
TORQUES (LB-FT): PO=20.7 PU=12.2 LR=15.3 LRA=50.6



12/22/2025 ACPERF, record # 89651



CD0006



NOTES:

1. THREE LEAD MOTOR MAY BE EITHER WYE CONNECTED OR DELTA CONNECTED.
2. INTERCHANGE ANY TWO LINE LEADS TO REVERSE ROTATION.
3. OPTIONAL THERMOSTATS ARE PROVIDED WHEN SPECIFIED.
4. ACTUAL NUMBER OF INTERNAL PARALLEL CIRCUITS MAY VARY.
5. LEAD COLORS ARE OPTIONAL. LEADS MUST BE NUMBERED AS SHOWN.

CD0006

| | | |
|-----------------------------------|------------------------------|-------------------|
| REV. DESC: ADD CLASS CONN00000007 | | |
| REV. LTR: E | VERSION: 01 | TDR: 000001099922 |
| FILE: \AAA\00005\141 | REVISED: 10:24:49 02/19/2019 | BY: ENBRIRO |
| MTL: - | © □ | |

BALDOR - RELIANCE®

3PH, SV, 3 LEADS, WYE OR DELTA CONNECTED

SH 1 of 1