



Customer information packet

CFSWDM3615T-5E

5HP, 1750RPM, 3PH, 60HZ, 184TC, 3646M, TEFC, F1

Class - None

Division - Not Applicable

Specifications

Enclosure	TEFC
Frame	184TC
Frame Material	Stainless Steel
Frequency	60.00 Hz
Haz Area Class and Group	None
Haz Area Division	Not Applicable
Motor Letter Type	Three Phase
Output @ Frequency	5.000 HP @ 60 HZ
Phase	3
Synchronous Speed @ Frequency	1800 RPM @ 60 HZ
Voltage @ Frequency	575.0 V @ 60 HZ
Agency Approvals	NEMA PREMIUM CSA UR
Ambient Temperature	40 °C
Auxiliary Box	NO AUXILLARY BOX
Auxiliary Box Lead Termination	None
Base Indicator	Rigid
Bearing Grease Type	Polyrex EM (-20F +300F)
Blower	None
Current @ Voltage	5.100 A @ 575.0 V
Design Code	B
Drip Cover	No Drip Cover
Duty Rating	CONT
Efficiency @ 100% Load	89.5 %
Electrically Isolated Bearing	Not Electrically Isolated
Feedback Device	NO FEEDBACK
Front Face Code	Standard
Front Shaft Indicator	None
Heater Indicator	No Heater
High Voltage Full Load Amps	5.1 a
Insulation Class	H

Part detail

Revision	L
Type	AC
Mech. spec.	36R552
Base	
Status	PRD/A
Elec. spec.	36WGS991
Layout	36LYR552
Eff. date	06-19-2023
CD Diagram	CD0006
Poles	04
Leads	3#16
Proprietary	False
Created date	07-31-2017

Inverter Code	Not Inverter
KVA Code	J
Lifting Lugs	Standard Lifting Lugs
Locked Bearing Indicator	Locked Bearing
Motor Lead Exit	Ko Box
Motor Lead Quantity/Wire Size	3 @ 16 AWG
Motor Lead Termination	Flying Leads
Motor Standards	NEMA
Motor Type	3646M
Mounting Arrangement	F1
Number of Poles	4
Overall Length	18.89 IN
Power Factor	82
Product Family	WD All SS Encapsulated
Pulley End Bearing Type	Sealed Bearing
Pulley Face Code	C-Face
Pulley Shaft Indicator	Standard
Rodent Screen	None
RoHS Status	ROHS COMPLIANT
Service Factor	1.15
Shaft Diameter	1.125 IN
Shaft Extension Location	Pulley End
Shaft Ground Indicator	No Shaft Grounding
Shaft Rotation	Reversible
Shaft Slinger Indicator	Shaft Slinger
Speed	1750 rpm
Speed Code	Single Speed
Starting Method	Direct on line
Thermal Device - Bearing	None
Thermal Device - Winding	None
Vibration Sensor Indicator	No Vibration Sensor
Winding Thermal 1	None
Winding Thermal 2	None

AC Induction Motor Performance Data

Record # 39204

Typical performance - not guaranteed values

Winding: 36WGS991-R001		Type: 3646M		Enclosure: TEFC	
Nameplate Data			575 V, 60 Hz: Single Voltage Motor		
Rated Output (HP)	5	Full Load Torque	15.2 LB-FT		
Volts	575	Start Configuration	direct on line		
Full Load Amps	5.1	Breakdown Torque	47.6 LB-FT		
R.P.M.	1750	Pull-up Torque	26.4 LB-FT		
Hz	60	Phase	3	Locked-rotor Torque	30.8 LB-FT
NEMA Design Code	B	KVA Code	J	Starting Current	36.9 A
Service Factor (S.F.)	1.15	No-load Current	2.2 A		
NEMA Nom. Eff.	89.5	Power Factor	82	Line-line Res. @ 25°C	3.73 Ω
Rating - Duty	40C AMB-CONT		Temp. Rise @ Rated Load	87°C	
S.F. Amps			Temp. Rise @ S.F. Load	108°C	
			Locked-rotor Power Factor	39	
			Rotor inertia	0.428 LB-FT ²	

Load Characteristics 575 V, 60 Hz, 5 HP

% of Rated Load	25	50	75	100	125	150	S.F.
Power Factor	44	66	77	82	84	84	83
Efficiency	87.1	90.7	90.8	89.9	88.2	86.3	88.9
Speed	1788	1775	1762	1746	1730	1711	1736
Line amperes	2.5	3.18	4.08	5.14	6.38	7.74	5.88

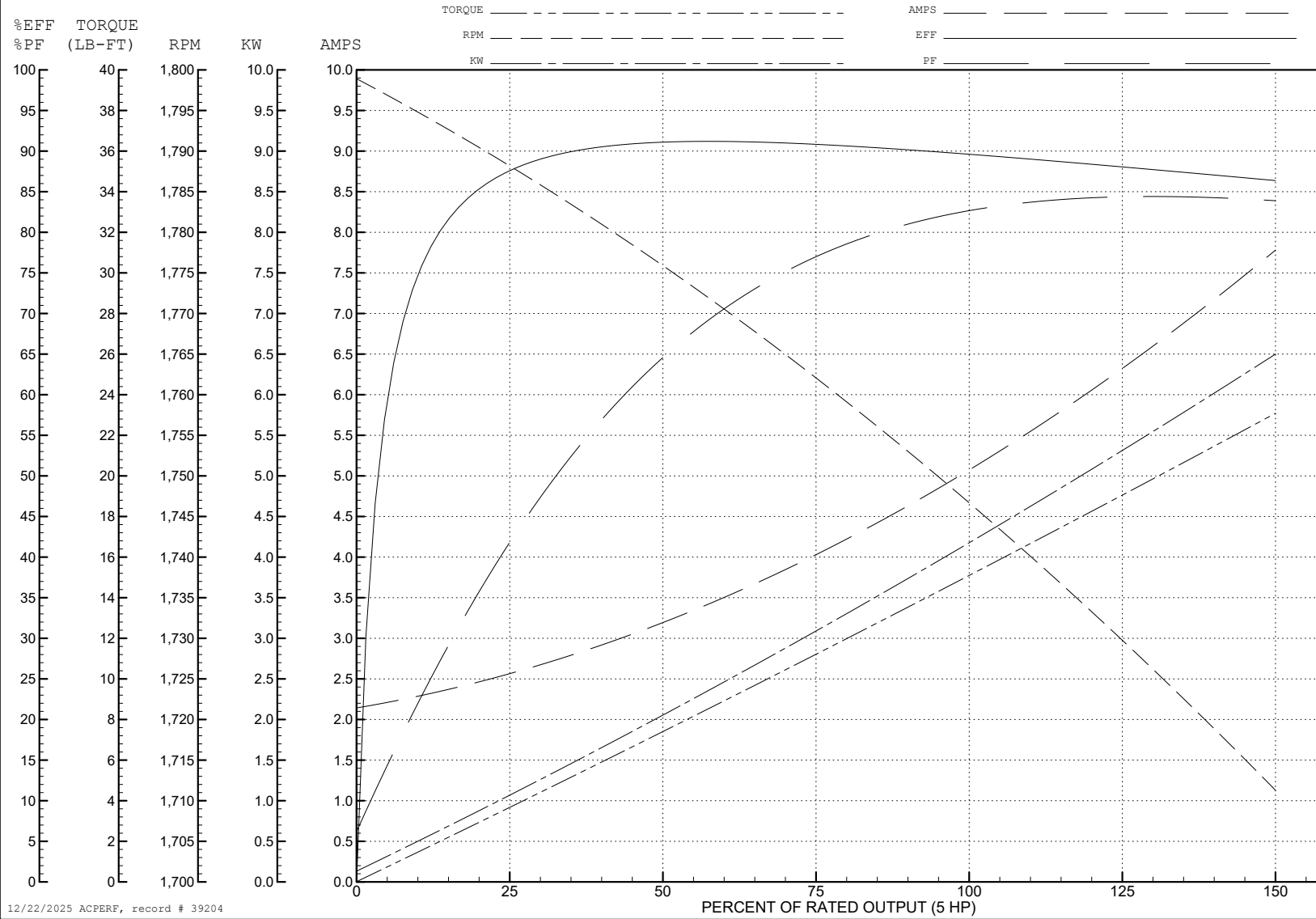
ABB Motors and Mechanical Inc.

WINDING # 36WGS991

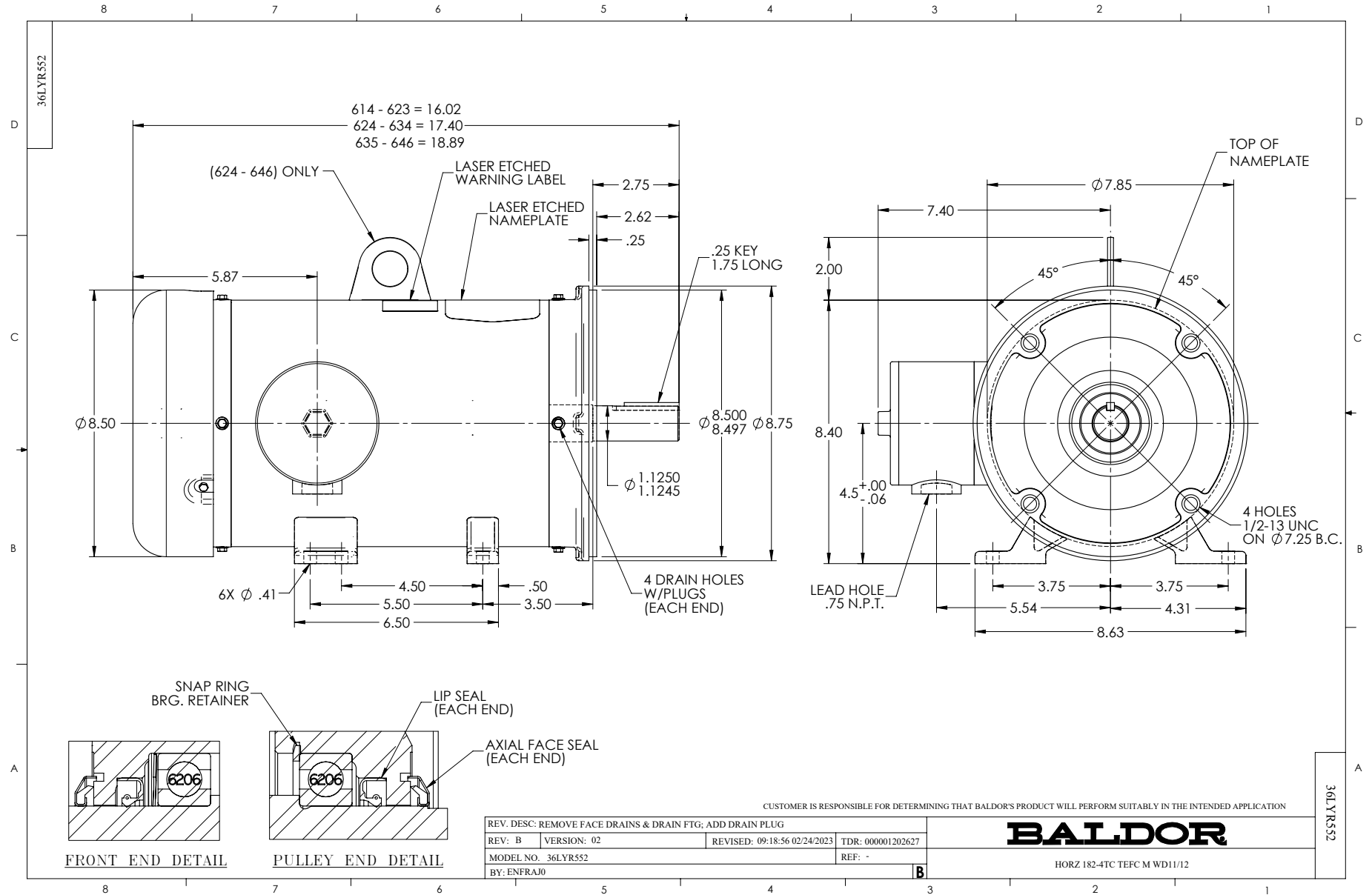
Typical performance - not guaranteed values.

5 HP 3 PH 60 HZ 1750 RPM 575 V 3646M

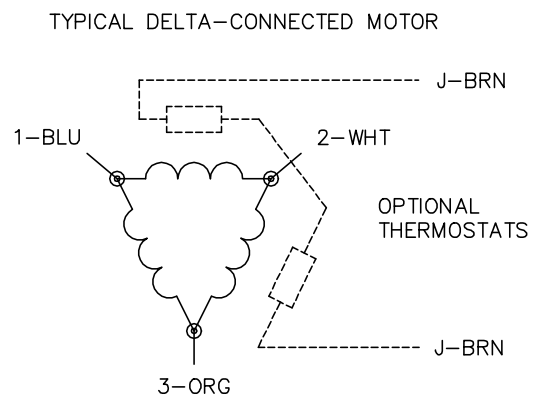
TORQUES (LB-FT): PO=47.6 PU=26.4 LR=30.8 LRA=36.9



12/22/2025 ACPERF, record # 39204



CD0006



NOTES:

1. THREE LEAD MOTOR MAY BE EITHER WYE CONNECTED OR DELTA CONNECTED.
2. INTERCHANGE ANY TWO LINE LEADS TO REVERSE ROTATION.
3. OPTIONAL THERMOSTATS ARE PROVIDED WHEN SPECIFIED.
4. ACTUAL NUMBER OF INTERNAL PARALLEL CIRCUITS MAY VARY.
5. LEAD COLORS ARE OPTIONAL. LEADS MUST BE NUMBERED AS SHOWN.

CD0006

REV. DESC: ADD CLASS CONN00000007		
REV. LTR: E	VERSION: 01	TDR: 000001099922
FILE: \AAA\00005\141	REVISED: 10:24:49 02/19/2019	BY: ENBRIRO
MTL: -	© □	

BALDOR - RELIANCE®

3PH, SV, 3 LEADS, WYE OR DELTA CONNECTED

SH 1 of 1