

**BALDOR • RELIANCE**

---

# Customer information packet

## CFSWDM3558-5E

2HP, 1765RPM, 3PH, 60HZ, 56C, 3528M, TEFC, F1, N

Class - None

Division - Not Applicable

Copyright © All product information within this document is subject to ABB Motors and Mechanical Inc. copyright © protection, unless otherwise noted.

12/22/2025 10:57:51 PM

## Specifications

|                                |                                                             |
|--------------------------------|-------------------------------------------------------------|
| Enclosure                      | TEFC                                                        |
| Frame                          | 56C                                                         |
| Frame Material                 | Stainless Steel                                             |
| Frequency                      | 60.00 Hz                                                    |
| Haz Area Class and Group       | None                                                        |
| Haz Area Division              | Not Applicable                                              |
| Motor Letter Type              | Three Phase                                                 |
| Output @ Frequency             | 2.000 HP @ 60 HZ                                            |
| Phase                          | 3                                                           |
| Synchronous Speed @ Frequency  | 1800 RPM @ 60 HZ                                            |
| Voltage @ Frequency            | 575.0 V @ 60 HZ                                             |
| Agency Approvals               | CSA EEV<br>WEEE<br>NEMA_PREMIUM<br>NEMA PREMIUM<br>CURUSEEV |
| Ambient Temperature            | 40 °C                                                       |
| Auxiliary Box                  | NO AUXILLARY BOX                                            |
| Auxiliary Box Lead Termination | None                                                        |
| Base Indicator                 | Rigid                                                       |
| Bearing Grease Type            | Polyrex EM (-20F +300F)                                     |
| Blower                         | None                                                        |
| Current @ Voltage              | 2.150 A @ 575.0 V                                           |
| Design Code                    | B                                                           |
| Drip Cover                     | No Drip Cover                                               |
| Duty Rating                    | CONT                                                        |
| Efficiency @ 100% Load         | 86.5 %                                                      |
| Electrically Isolated Bearing  | Not Electrically Isolated                                   |
| Feedback Device                | NO FEEDBACK                                                 |
| Front Shaft Indicator          | None                                                        |
| Heater Indicator               | No Heater                                                   |
| High Voltage Full Load Amps    | 2.2 a                                                       |

## Part detail

|              |            |
|--------------|------------|
| Revision     | A          |
| Type         | AC         |
| Mech. spec.  | 35E4741    |
| Base         |            |
| Status       | PRD/A      |
| Elec. spec.  | 35WGZ823   |
| Layout       | 35LYE4741  |
| Eff. date    | 08-14-2023 |
| CD Diagram   | CD0006     |
| Poles        | 04         |
| Leads        | 3#18       |
| Proprietary  | False      |
| Created date | 03-11-2022 |

|                                      |                            |
|--------------------------------------|----------------------------|
| <b>Insulation Class</b>              | H                          |
| <b>Inverter Code</b>                 | Inverter Duty              |
| <b>KVA Code</b>                      | L                          |
| <b>Lifting Lugs</b>                  | No Lifting Lugs            |
| <b>Locked Bearing Indicator</b>      | Locked Bearing             |
| <b>Max Speed</b>                     | 2700 rpm                   |
| <b>Motor Finish</b>                  | UNPAINTED                  |
| <b>Motor Lead Quantity/Wire Size</b> | 3 @ 18 AWG                 |
| <b>Motor Lead Termination</b>        | Flying Leads               |
| <b>Motor Standards</b>               | NEMA                       |
| <b>Motor Type</b>                    | 3528M                      |
| <b>Mounting Arrangement</b>          | F1                         |
| <b>Number of Poles</b>               | 4                          |
| <b>Overall Length</b>                | 13.96 IN                   |
| <b>Power Factor</b>                  | 81                         |
| <b>Product Family</b>                | WD All SD Non-Encapsulated |
| <b>Pulley End Bearing Type</b>       | Sealed Bearing             |
| <b>Pulley Face Code</b>              | C-Face                     |
| <b>Pulley Shaft Indicator</b>        | Standard                   |
| <b>Rodent Screen</b>                 | None                       |
| <b>Service Factor</b>                | 1.15                       |
| <b>Shaft Diameter</b>                | 0.625 IN                   |
| <b>Shaft Ground Indicator</b>        | No Shaft Grounding         |
| <b>Shaft Rotation</b>                | Reversible                 |
| <b>Shaft Slinger Indicator</b>       | No Slinger                 |
| <b>Speed</b>                         | 1765 rpm                   |
| <b>Speed Code</b>                    | Single Speed               |
| <b>Starting Method</b>               | Direct on line             |
| <b>Thermal Device - Bearing</b>      | None                       |
| <b>Thermal Device - Winding</b>      | None                       |
| <b>Vibration Sensor Indicator</b>    | No Vibration Sensor        |
| <b>Winding Thermal 1</b>             | None                       |
| <b>Winding Thermal 2</b>             | None                       |



**AC Induction Motor Performance Data**

Record # 88444

Preliminary Data Sheet

| <b>Winding:</b> 35WGZ823-R001 |      | <b>Type:</b> 3528M  |                                               | <b>Enclosure:</b> TEFC           |                          |
|-------------------------------|------|---------------------|-----------------------------------------------|----------------------------------|--------------------------|
| <b>Nameplate Data</b>         |      |                     | <b>575 V, 60 Hz:<br/>Single Voltage Motor</b> |                                  |                          |
| <b>Rated Output (HP)</b>      |      | 2                   | <b>Full Load Torque</b>                       |                                  | 5.95 LB-FT               |
| <b>Volts</b>                  |      | 575                 | <b>Start Configuration</b>                    |                                  | direct on line           |
| <b>Full Load Amps</b>         |      | 2.15                | <b>Breakdown Torque</b>                       |                                  | 22.1 LB-FT               |
| <b>R.P.M.</b>                 |      | 1765                | <b>Pull-up Torque</b>                         |                                  | 13.1 LB-FT               |
| <b>Hz</b>                     | 60   | <b>Phase</b>        | 3                                             | <b>Locked-rotor Torque</b>       | 15.85 LB-FT              |
| <b>NEMA Design Code</b>       | B    | <b>KVA Code</b>     | K                                             | <b>Starting Current</b>          | 18.31 A                  |
| <b>Service Factor (S.F.)</b>  |      | 1.15                | <b>No-load Current</b>                        |                                  | 1.15 A                   |
| <b>NEMA Nom. Eff.</b>         | 86.5 | <b>Power Factor</b> | 81                                            | <b>Line-line Res. @ 25°C</b>     | 15.5 Ω                   |
| <b>Rating - Duty</b>          |      | 40C                 | AMB-CONT                                      | <b>Temp. Rise @ Rated Load</b>   | 81°C                     |
| <b>S.F. Amps</b>              |      | 2.45                |                                               | <b>Temp. Rise @ S.F. Load</b>    | 98°C                     |
|                               |      |                     |                                               | <b>Locked-rotor Power Factor</b> | 57                       |
|                               |      |                     |                                               | <b>Rotor inertia</b>             | 0.202 lb-ft <sup>2</sup> |

**Load Characteristics 575 V, 60 Hz, 2 HP**

| <b>% of Rated Load</b> | <b>25</b> | <b>50</b> | <b>75</b> | <b>100</b> | <b>125</b> | <b>150</b> | <b>S.F.</b> |
|------------------------|-----------|-----------|-----------|------------|------------|------------|-------------|
| <b>Power Factor</b>    | 39        | 60        | 73        | 80         | 84         | 86         | 82          |
| <b>Efficiency</b>      | 80.1      | 86.2      | 87.3      | 86.9       | 85.6       | 83.9       | 86.1        |
| <b>Speed</b>           | 1791      | 1783      | 1773      | 1765       | 1755       | 1742       | 1759        |
| <b>Line amperes</b>    | 1.23      | 1.45      | 1.76      | 2.15       | 2.62       | 3.1        | 2.43        |

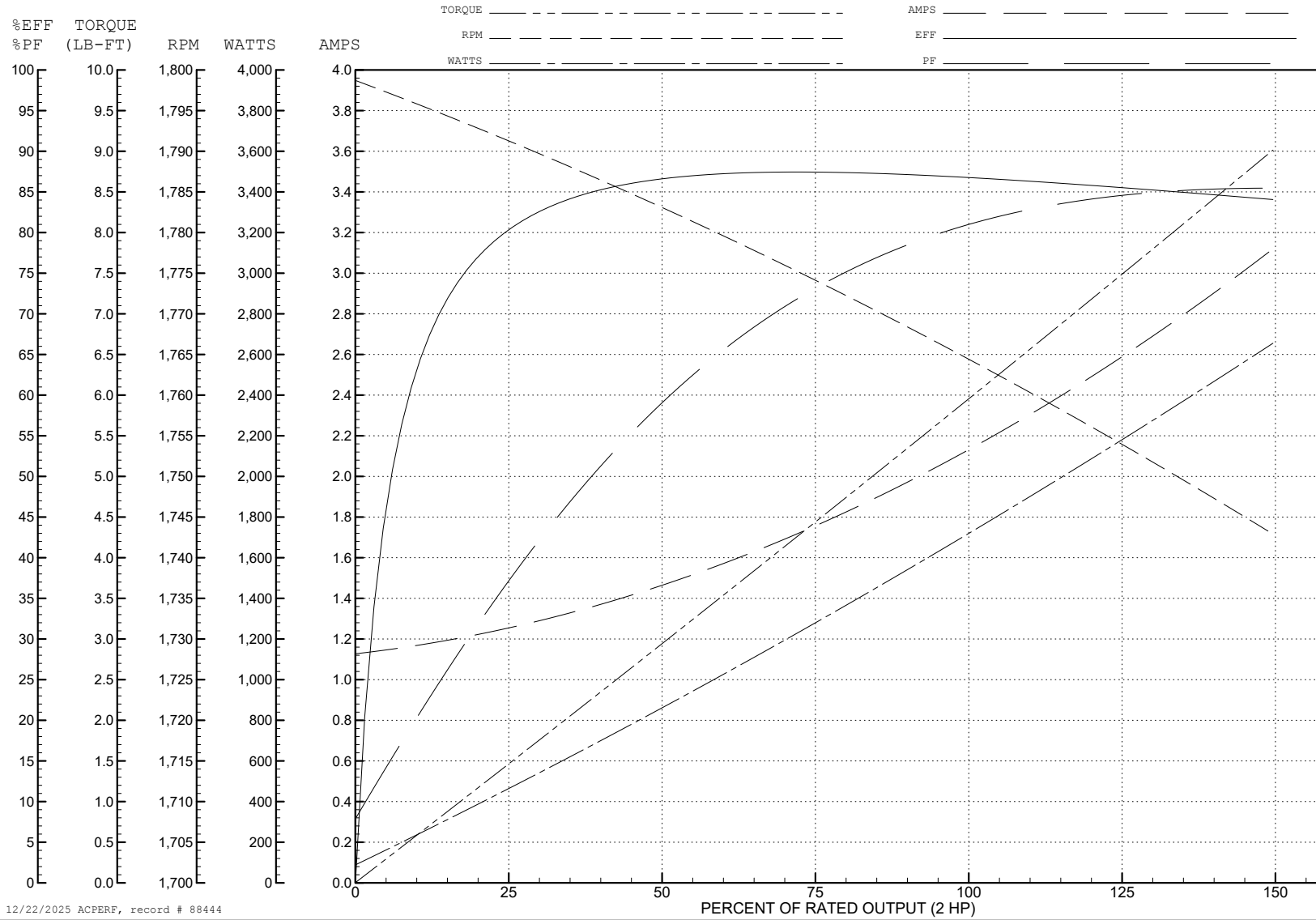
ABB Motors and Mechanical Inc.

WINDING # 35WGZ823

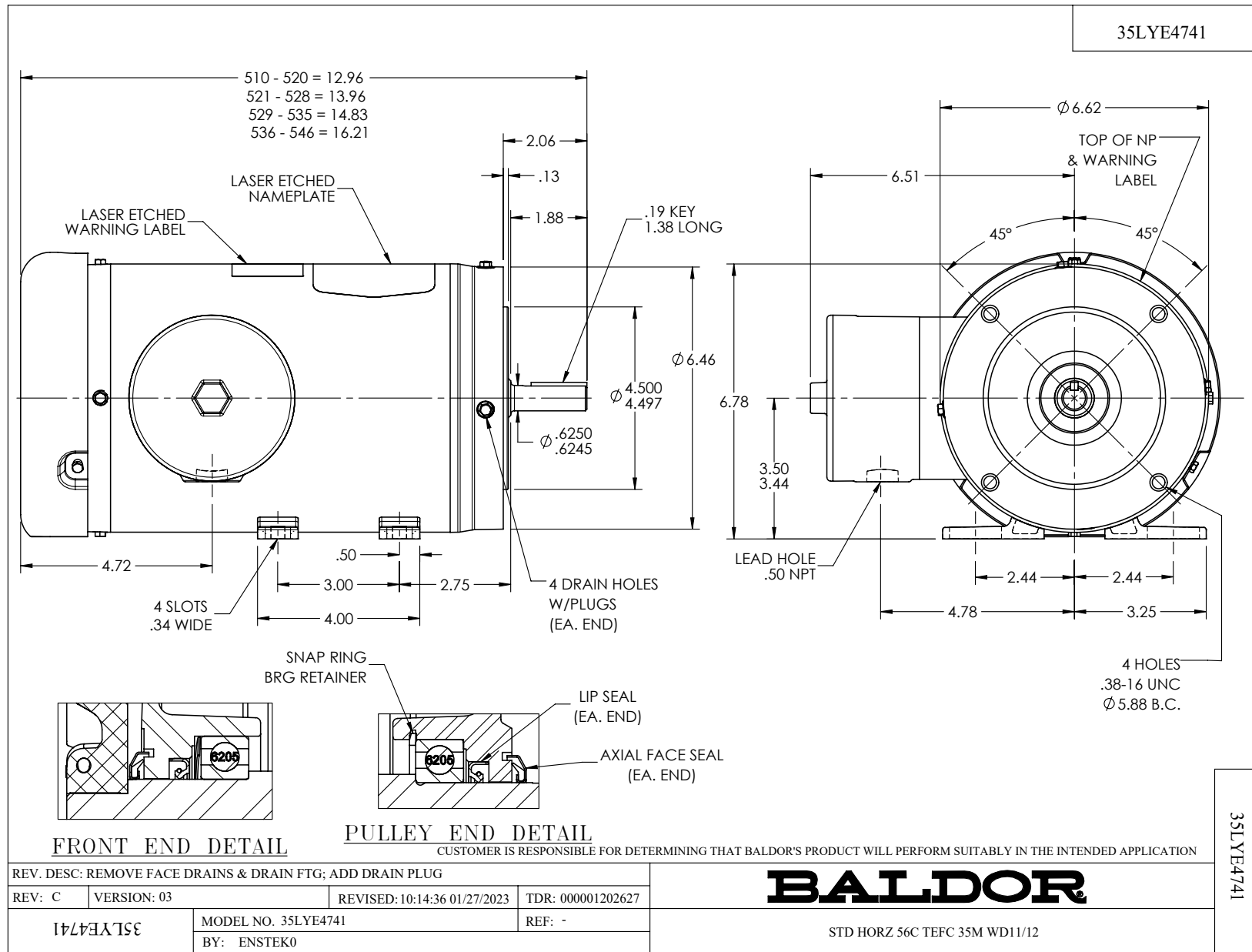
Typical performance - not guaranteed values.

2 HP 3 PH 60 HZ 1765 RPM 575 V 3528M

TORQUES (LB-FT): PO=22.1 PU=13.1 LR=15.85 LRA=18.31



12/22/2025 ACPERF, record # 88444



CD0006



NOTES:

1. THREE LEAD MOTOR MAY BE EITHER WYE CONNECTED OR DELTA CONNECTED.
2. INTERCHANGE ANY TWO LINE LEADS TO REVERSE ROTATION.
3. OPTIONAL THERMOSTATS ARE PROVIDED WHEN SPECIFIED.
4. ACTUAL NUMBER OF INTERNAL PARALLEL CIRCUITS MAY VARY.
5. LEAD COLORS ARE OPTIONAL. LEADS MUST BE NUMBERED AS SHOWN.

CD0006

|                                   |                              |                   |
|-----------------------------------|------------------------------|-------------------|
| REV. DESC: ADD CLASS CONN00000007 |                              |                   |
| REV. LTR: E                       | VERSION: 01                  | TDR: 000001099922 |
| FILE: \AAA\00005\141              | REVISED: 10:24:49 02/19/2019 | BY: ENBRIRO       |
| MTL: -                            | © □                          |                   |

**BALDOR - RELIANCE®**

3PH, SV, 3 LEADS, WYE OR DELTA CONNECTED

SH 1 of 1