

**BALDOR • RELIANCE**

---

# Customer information packet

## CEM4115T-G

50HP, 1775RPM, 3PH, 60HZ, 326TC, TEFC, F1

Class - None

Division - Not Applicable

## Specifications

Enclosure	TEFC
Frame	326TC
Frame Material	Iron
Frequency	60.00 Hz
Haz Area Class and Group	None
Haz Area Division	Not Applicable
Motor Letter Type	Three Phase
Output @ Frequency	50.000 HP @ 60 HZ
Phase	3
Synchronous Speed @ Frequency	1800 RPM @ 60 HZ
Voltage @ Frequency	230.0 V @ 60 HZ 460.0 V @ 60 HZ
Agency Approvals	CSA CSA EEV NEMA PREMIUM UR
Ambient Temperature	40 °C
Auxiliary Box	NO AUXILLARY BOX
Auxiliary Box Lead Termination	None
Base Indicator	Rigid
Bearing Grease Type	Polyrex EM (-20F +300F)
Blower	None
Current @ Voltage	58.000 A @ 460.0 V 116.000 A @ 230.0 V
Design Code	A
Drip Cover	No Drip Cover
Duty Rating	CONT
Efficiency @ 100% Load	94.5 %
Electrically Isolated Bearing	Not Electrically Isolated
Feedback Device	NO FEEDBACK
Heater Indicator	No Heater
High Voltage Full Load Amps	58.0 a

## Part detail

Revision	G
Type	AC
Mech. spec.	
Base	
Status	PRD/A
Elec. spec.	12WGY141
Layout	12LYH471
Eff. date	11-21-2024
CD Diagram	CD0180
Poles	04
Leads	9#8
Proprietary	False
Created date	12-16-2019

<b>Insulation Class</b>	H
<b>Inverter Code</b>	Inverter Duty
<b>IP Rating</b>	NONE
<b>KVA Code</b>	H
<b>Lifting Lugs</b>	Standard Lifting Lugs
<b>Locked Bearing Indicator</b>	Locked Bearing
<b>Motor Lead Termination</b>	Flying Leads
<b>Motor Standards</b>	NEMA
<b>Motor Type</b>	1272M
<b>Mounting Arrangement</b>	F1
<b>Number of Poles</b>	4
<b>Overall Length</b>	30.28 IN
<b>Power Factor</b>	85
<b>Product Family</b>	General Purpose
<b>Pulley Face Code</b>	C-Face
<b>Rodent Screen</b>	None
<b>Service Factor</b>	1.15
<b>Shaft Diameter</b>	2.125 IN
<b>Shaft Ground Indicator</b>	Shaft Grounding
<b>Shaft Rotation</b>	Reversible
<b>Speed</b>	1775 rpm
<b>Speed Code</b>	Single Speed
<b>Starting Method</b>	Direct on line
<b>Thermal Device - Bearing</b>	None
<b>Thermal Device - Winding</b>	None
<b>Vibration Sensor Indicator</b>	No Vibration Sensor
<b>Winding Thermal 1</b>	None
<b>Winding Thermal 2</b>	None

**Nameplate**

**NP3443LUA**

<b>CAT.NO.</b>	CEM4115T-G	<b>CUST. P/N</b>				<b>ENCL</b>	<b>TEFC</b>
<b>SPEC.</b>	12-0000-1381	<b>CC</b>	010A	<b>FRAME</b>	326TC	<b>SER.NO.</b>	
<b>HP</b>	50	<b>CLASS</b>	H	<b>HZ</b>	60		
<b>R.P.M.</b>	1775	<b>PH.</b>	3	<b>DES.</b>	A		
<b>VOLTS</b>	230/460	<b>CODE</b>	H	<b>ODE BRG</b>	6311	<b>DE BRG</b>	6312
<b>AMPS</b>	116/58						
<b>RATING</b>	40C AMB-CONT	<b>NEMA NOM. EFF.</b>	94.5	<b>GREASE</b>	POLYREX EM		
<b>P.F.</b>	85	<b>SER.F.</b>	1.15	<b>CT6-60H(10:1)VT3-60H(20:1)</b>			
<b>USABLE AT</b>	50HZ 50HP 190/380V 139/69.5A	<b>SF1.0</b>					
<b>VOLTS</b>	<b>AMPS</b>	<b>MAX. SPACE HEATER TEMP.</b>					

**AC Induction Motor Performance Data**

Record # 35498

Typical performance - not guaranteed values

Winding: 12WGY141-R004		Type: 1272M	Enclosure: TEFC
<b>Nameplate Data</b>		<b>460 V, 60 Hz: High Voltage Connection</b>	
Rated Output (HP)	50	Full Load Torque	147 LB-FT
Volts	230/460	Start Configuration	direct on line
Full Load Amps	116/58	Breakdown Torque	396 LB-FT
R.P.M.	1775	Pull-up Torque	183 LB-FT
Hz	60 Phase	Locked-rotor Torque	254 LB-FT
NEMA Design Code	A KVA Code	Starting Current	395 A
Service Factor (S.F.)	1.15	No-load Current	19.8 A
NEMA Nom. Eff.	94.5 Power Factor	Line-line Res. @ 25°C	0.10889 Ω
Rating - Duty	40C AMB-CONT	Temp. Rise @ Rated Load	64°C
S.F. Amps		Temp. Rise @ S.F. Load	79°C
		Locked-rotor Power Factor	26
		Rotor inertia	9.59 LB-FT <sup>2</sup>

**Load Characteristics 460 V, 60 Hz, 50 HP**

% of Rated Load	25	50	75	100	125	150	S.F.
Power Factor	53	74	83	85	87	87	87
Efficiency	91.3	94.3	94.8	94.6	94	93.1	94.2
Speed	1794.5	1789.3	1783.5	1777.5	1770.7	1761.5	1773
Line amperes	24.2	33.5	44.7	57.6	71.5	90	65.9

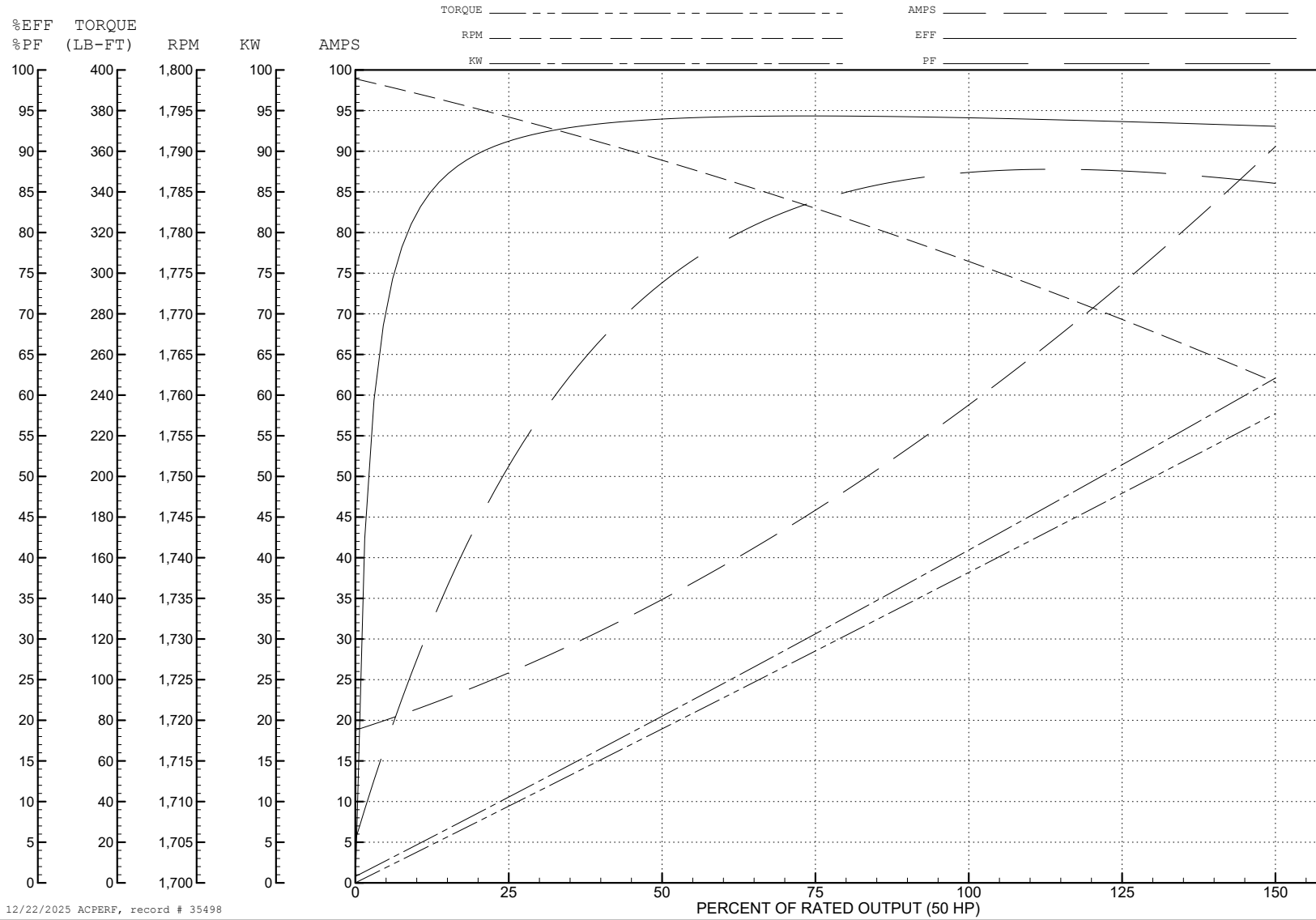
ABB Motors and Mechanical Inc.

WINDING # 12WGY141

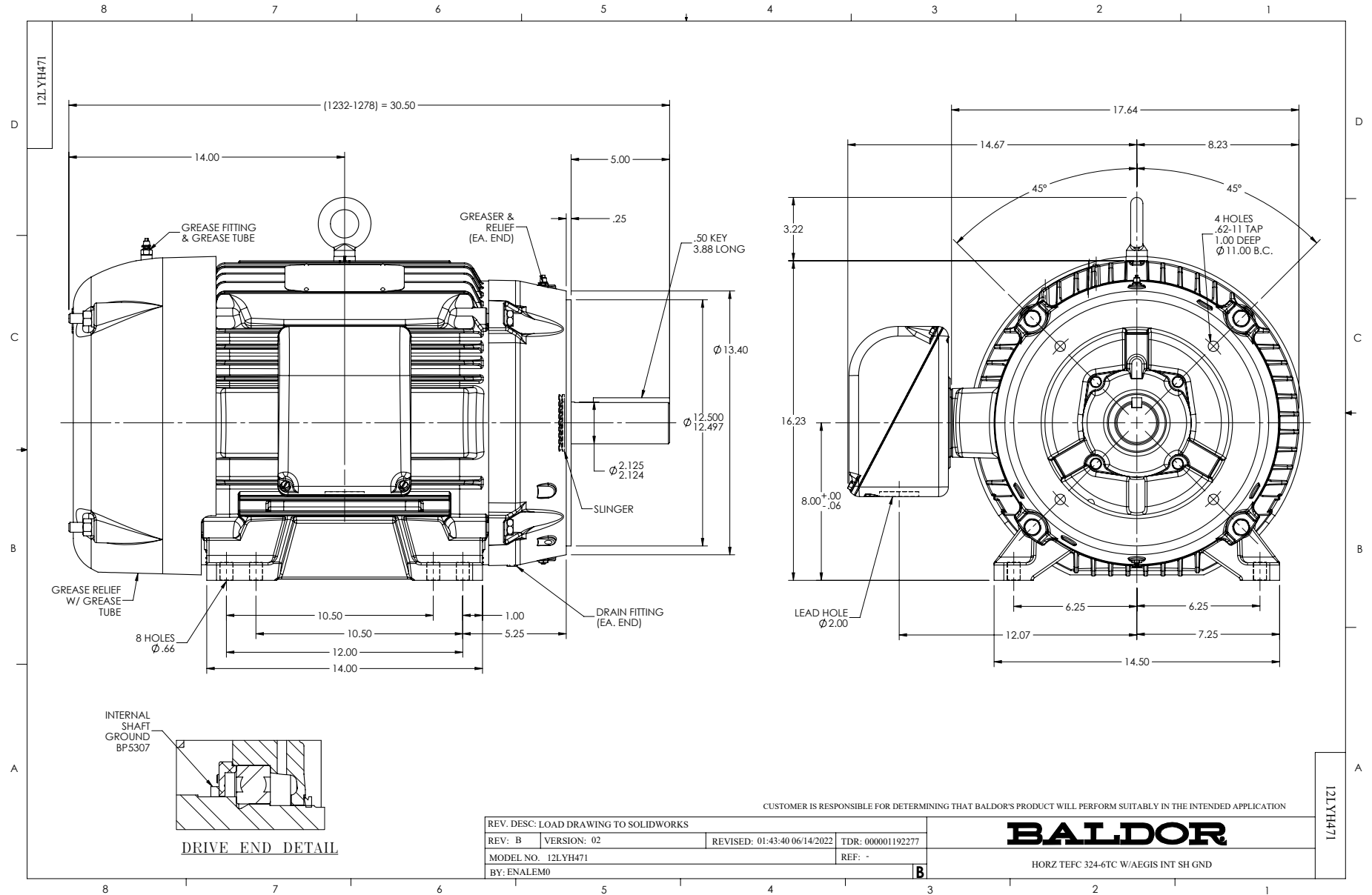
Typical performance - not guaranteed values.

50 HP 3 PH 60 HZ 1775 RPM 460 V 1272M

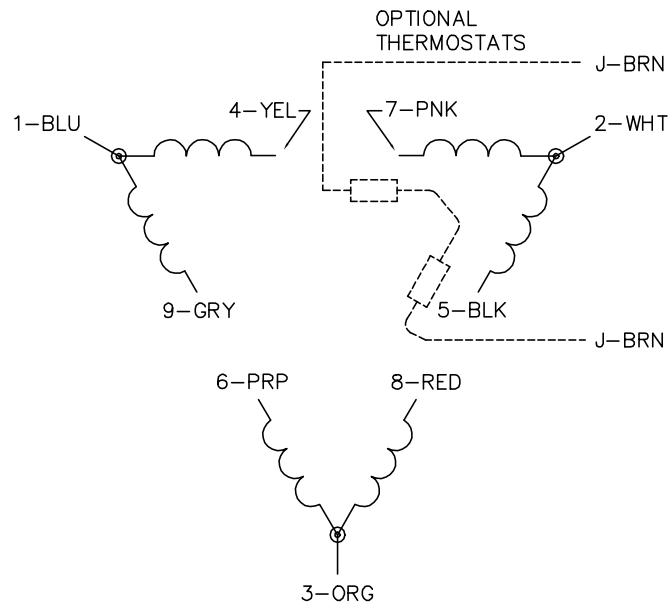
TORQUES (LB-FT): PO=396 PU=183 LR=254 LRA=395



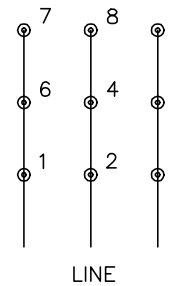
12/22/2025 ACPERF, record # 35498



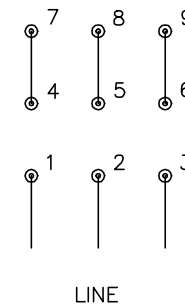
CD0180



LOW VOLTAGE  
(2D)



HIGH VOLTAGE  
(1D)



NOTES:

1. INTERCHANGE ANY TWO LINE LEADS TO REVERSE ROTATION.
2. OPTIONAL THERMOSTATS ARE PROVIDED WHEN SPECIFIED.
3. ACTUAL NUMBER OF INTERNAL PARALLEL CIRCUITS MAY BE A MULTIPLE OF THOSE SHOWN ABOVE.
4. LEAD COLORS ARE OPTIONAL. LEADS MUST ALWAYS BE NUMBERED AS SHOWN.

CD0180

REV. DESC: ADD CLASS CONN00000007		
REV. LTR: D	VERSION: 01	TDR: 000001099922
FILE: \AAA\00005\148	REVISED: 10: 25: 29 02/19/2019	BY: ENBRIRO
MTL: -	© □	

**BALDOR - RELIANCE®**

3PH, DV, 9 LEADS, DELTA CONNECTION

SH 1 of 1